

Changer/Parent Organizer for Close to You SE

Owner's Manual

For More Information

If you have any questions or comments about this product, or are missing any of the parts, please contact us in one of the following ways:



(877)-424-4226



info@chiccousa.com



www.chiccousa.com



1826 William Penn Way
Lancaster, PA 17601

WARNING

Read all instructions BEFORE assembly and USE of product. KEEP INSTRUCTIONS FOR FUTURE USE. IMPORTANT: Please also refer to the Close to You SE Owner's Manual.

Failure to follow these warnings and the instructions could result in serious injury or death. For your child's safety, read the labels and owner's manual before using the product.

FALL HAZARD : Children have suffered serious injuries after falling from changing tables.

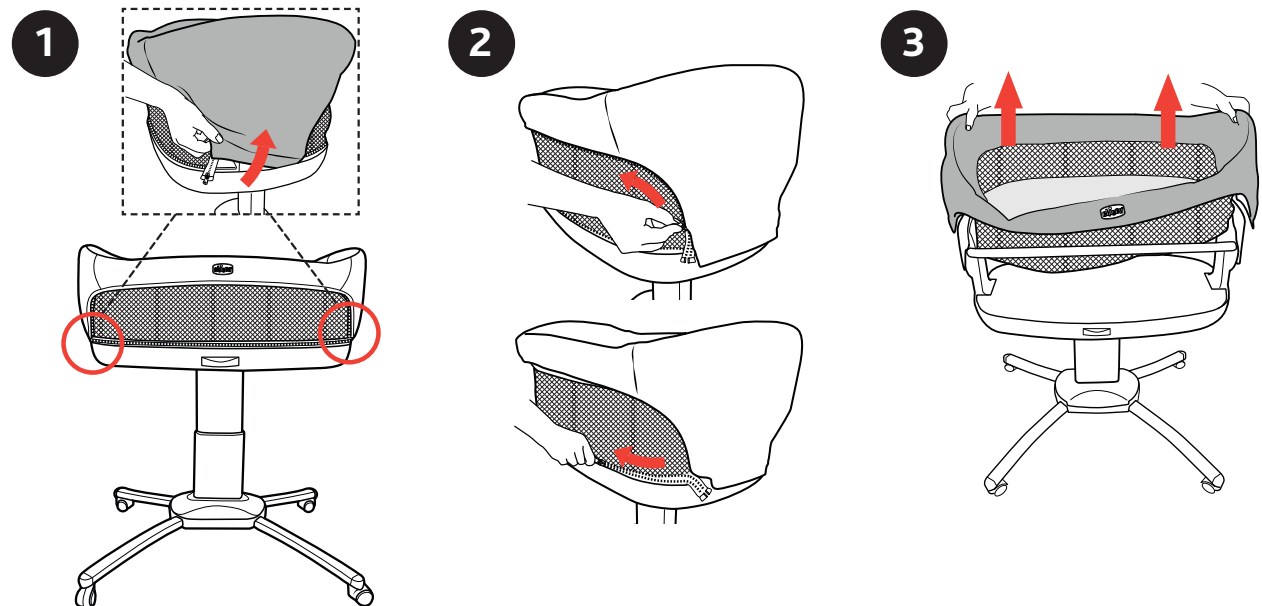
Falls can happen quickly.

- STAY within arm's reach of your child.
- ALWAYS lock the brakes before using the changing table.

SUFFOCATION HAZARD: Babies have suffocated while sleeping on changing tables. Changing table is not designed for safe sleep.

- NEVER allow baby to sleep on changing table.
- Stop using the changing table when your child reaches 30 lbs (13.6 kg).
- Do not use changing unit if it is damaged or broken.
- Do not put objects in the Parent Organizer that may be harmful to your child.
- The combined weight of items stored in organizer cannot exceed 10 lbs (4.5 kg).

Remove Bedside Bassinet Fabric



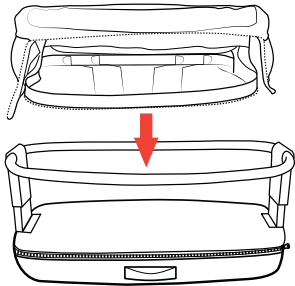
1. To remove the fabric, pull out the fabric tab tucked into the Bassinet Base on one end. Repeat for the other side.

2. Undo all 4 zippers, 2 on each side, as shown.

3. Remove the fabric from the Bassinet Frame.

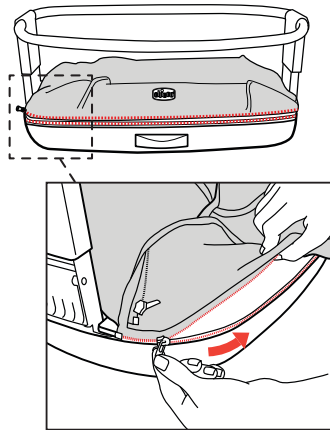
Attach Changer/Parent Organizer Fabric

4



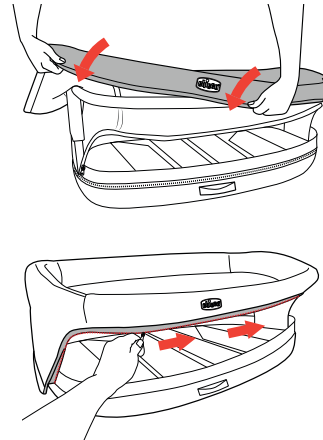
4. Lay out the Changer/Parent Organizer Fabric on the Bassinet floor.

5



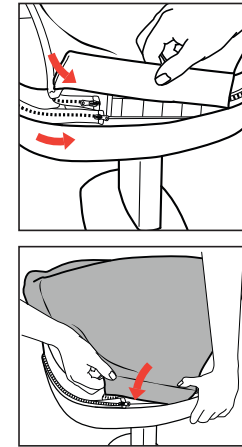
5. Locate the bottom zipper section on the Changer/Parent Organizer Fabric and line it up with the zipper section on the Bassinet Floor. Connect both sections and zip the sections together. Repeat for the other side.

6



6. Pull the Changer/Parent Organizer Fabric up and over the top of the Bassinet Rails. On one side of the Changer/Parent Organizer Fabric, locate both sections of the zipper and zip it together. Repeat for the other side.

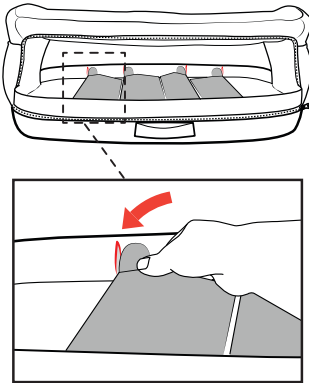
7



7. Tuck the excess zipper length behind the fabric and post. Insert the fabric tab into the groove of the Bassinet Base, as shown. Repeat for the other side.

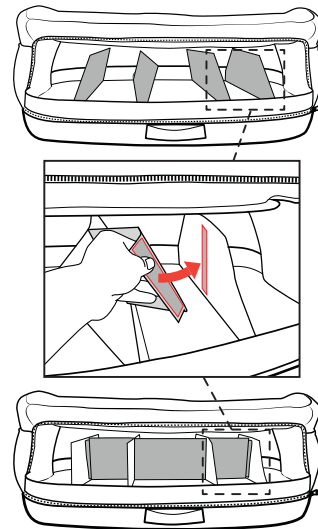
Assemble Divider Panels

8



8. Locate the 4 Divider Panels underneath the Changer. Each Divider Panel has 2 tabs on each end. Stand the Divider Panel up and insert both tabs into the slot on the bottom lip of the Changer. Repeat for the other 3 Divider Panels.

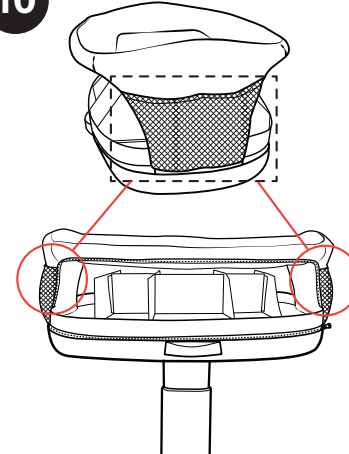
9



9. Locate 3 Center Support Panels. Unfold one of the Center Support Panels and attach using the hook and loop. Repeat for the other two Center Support Panels.

Storage Pockets

10



10. The Changer also has pockets on both ends for more storage.

Cleaning & Maintenance

This product requires regular maintenance. The cleaning and maintenance of the changer must only be carried out by an adult.

CLEANING

Spot clean the fabric and pad with a damp cloth and mild detergent. Do not machine wash. Do not use bleach wipes or spray on the fabric or pad. Do not use bleach.

Periodically wipe clean plastic parts with a soft damp cloth. Always dry the metal parts to prevent the formation of rust if the product has come into contact with water.

MAINTENANCE

Periodically check the product for loose screws, worn parts, torn material or stitching. Replace or repair the parts as needed. Use only Chicco replacement parts. Keep the changer in a dry place. If changer becomes wet open changer and allow to dry completely. Prolonged exposure to direct sunlight may cause the fabric to fade and plastic parts to warp.