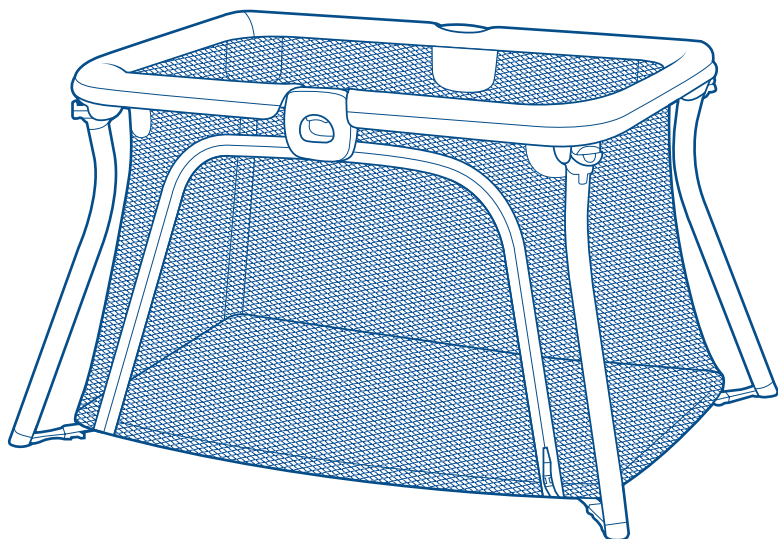




Read all instructions BEFORE
assembly and USE of product.
KEEP INSTRUCTIONS FOR
FUTURE USE.



Alfa Lite[®]

Portable Playard

Owner's Manual

WARNING

Failure to follow these warnings and the instructions could result in serious injury or death

- PLEASE READ THESE INSTRUCTIONS CAREFULLY TO ENSURE THE SAFETY OF YOUR CHILD.
 - ALWAYS PROVIDE THE SUPERVISION NECESSARY FOR THE CONTINUED SAFETY OF YOUR CHILD. WHEN USED FOR PLAYING, NEVER LEAVE CHILD UNATTENDED.
 - The product, including side rails, must be fully erected with all 4 legs locked into position and secured prior to use.
 - DOOR must be ZIPPED and BUCKLED to contain child in playard. Your child could get out and be seriously injured if the buckle is undone and the door is closed.
 - DO NOT place child in playard unless all 4 legs are locked into position and mattress pad is in proper place. Make sure all latches are locked and secure before use. Infant may roll into space between pad and loose mesh sides causing suffocation.
 - Discontinue use of the product when child is able to climb out or reaches the height of 35 in. (89 cm), weighs more than 30lbs (14kg), or is able to climb out.
 - Child can become entrapped and die when improvised netting or covers are placed on top of product. Never add such items to confine child in product.
 - When child is able to pull to a standing position, remove bumper pads, large toys, and other objects that could serve as steps for climbing out.
 - Never use this product if there are any loose or missing fasteners, loose joints, broken parts, or torn mesh/fabric. Check before assembly and periodically during use. Contact Chicco for replacement parts and instruction if needed. Never substitute parts.
 - Although Chicco DOES NOT RECOMMEND refinishing this product, if you choose to refinish, use a nontoxic finish specified for children's products.
- SUFFOCATION HAZARDS - Infants can suffocate:**
- In gaps between a mattress too small or too thick and product sides, and
 - On soft bedding.
 - Use ONLY the mattress provided by Chicco. NEVER add a mattress, pillow, comforter, or padding.
 - If a sheet is used with the pad, use only a fitted playard sheet specifically designed to fit snug with at least 2" (5 cm) under all sides of the mattress. The sheet must allow proper use of the mattress retention straps.

WARNING

Failure to follow these warnings and the instructions could result in serious injury or death

- NEVER use plastic shipping bags or other plastic film as mattress covers not sold and intended for that purpose. They can cause suffocation.
- NEVER use a water mattress with this product.
- When using this product as a PLAY AREA with the DOOR UNZIPPED:
 - Never leave child unattended.
 - You must first prepare the surrounding area and make sure it is safe.
 - Always keep this product away from and guard against hazards that may injure your child.

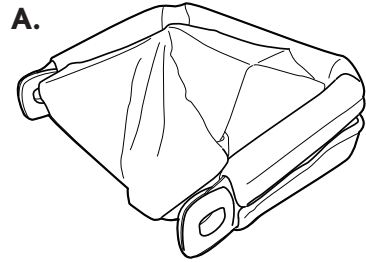
STRANGULATION HAZARDS:

- Strings can cause strangulation! NEVER place items with a string around a child's neck such as hood strings or pacifier cords.
- Never suspend strings over product or attach strings to toys.
- NEVER place product near a window where cords from blinds or drapes can strangle a child.

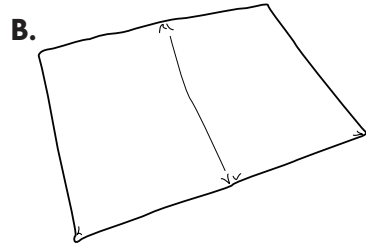
OTHER HAZARDS:

- Keep playard away from stoves, heaters, fireplaces and other hazards which can cause injury to your child.
- To reduce the risk of SIDS (Sudden Infant Death Syndrome), pediatricians recommend healthy infants be placed on their back to sleep, unless otherwise advised by a physician.
- DO NOT place more than one child in playard.
- For Indoor use only.
- Do not use the floor pad without the boards properly installed.

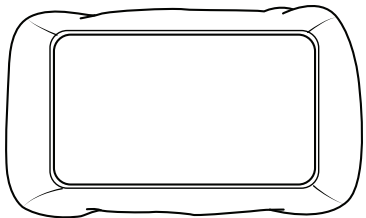
Parts List



A. - Frame



B. - Mattress Pad



C. - Fitted Sheet



D. - Carry Bag

Setting Up the Playard

⚠ WARNING

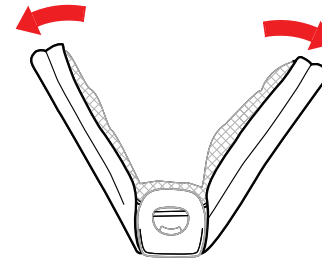
Before use, remove and dispose of any plastic bags and keep them out of reach of children to avoid the danger of suffocation. Failure to follow these warnings and instructions could result in serious injury or death.

This product requires adult assembly.

Make sure all latches are locked and secure before use.

1

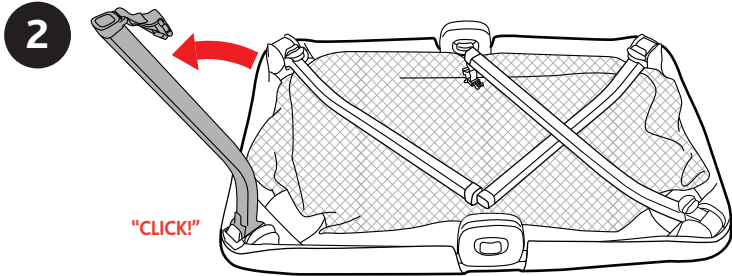
1. Remove Playard Frame from Carry Bag. Unfold the Frame making sure it locks into place, as shown.



"CLICK!"



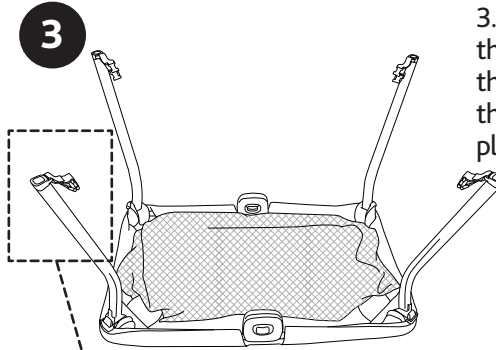
Setting Up the Playard



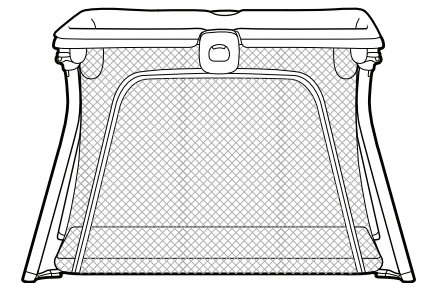
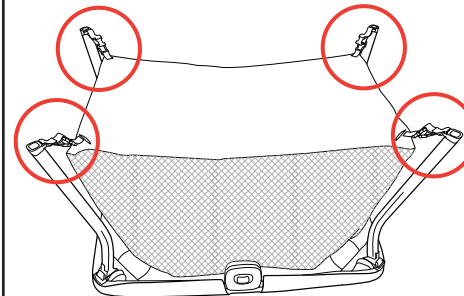
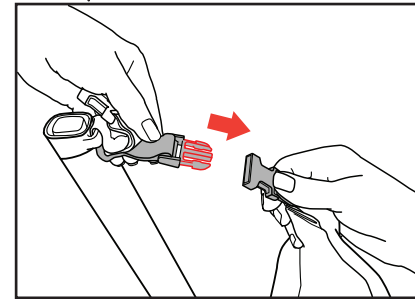
2. With the Frame laying on the floor with the legs facing up, rotate each leg out until it clicks into position, as shown.



Setting Up the Playard



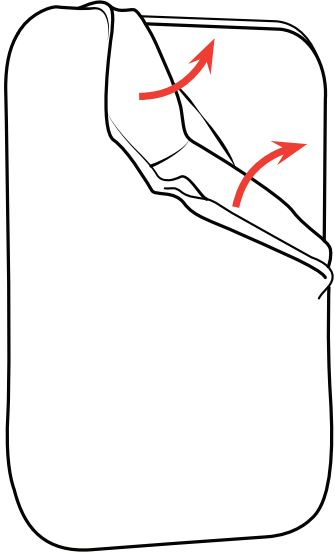
3. When all 4 legs are opened, attach the black strap buckles on each leg to the corner of the fabric, making sure the straps are not twisted. Flip the playard over onto its legs.



Setting Up the Playard

4

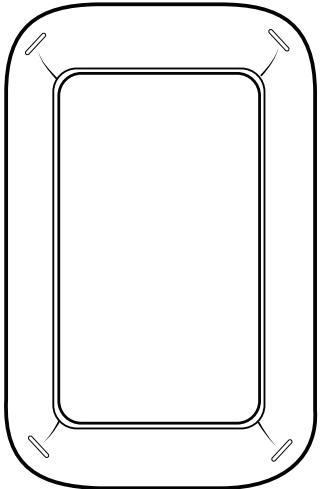
Top View



4. To attach Fitted Sheet to the Mattress Pad, slide each corner of the fitted sheet around the corners of the mattress pad as shown.

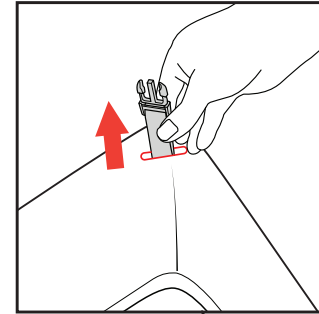
Check that sheet fits snug and tucks under all sides of the mattress.

Bottom View

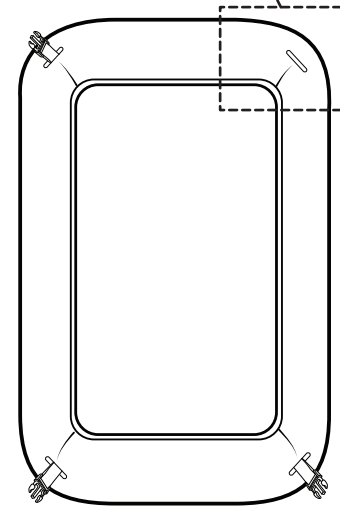


Setting Up the Playard

5

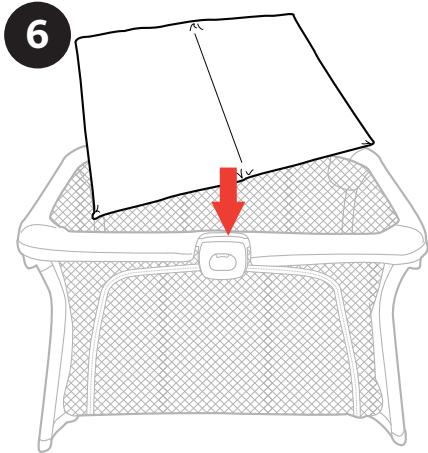


5. On the bottom of the Mattress Pad locate 4 corner straps. Pull each strap through the openings in the mattress sheet, as shown.

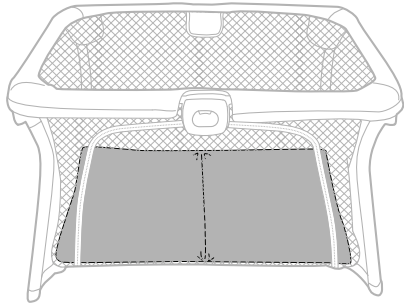


Bottom View

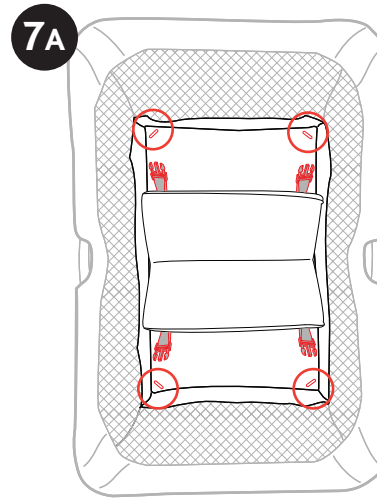
Setting Up the Playard



6. Insert the Mattress Pad into the playard, padded side up. Never use playard without Mattress Pad.



Setting Up the Playard



7A. Lift up the ends of the Mattress Pad and locate 4 slots on the floor of the playard.

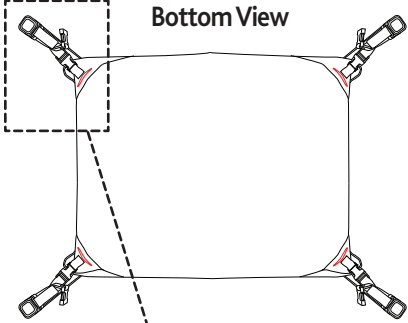


7B. Thread the 4 straps on the back of the Mattress Pad through the slots on the floor of the playard.

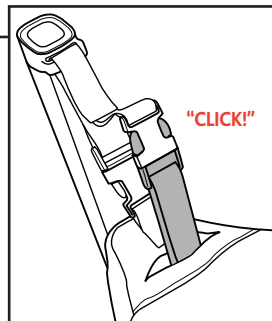
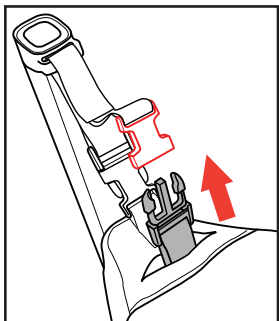
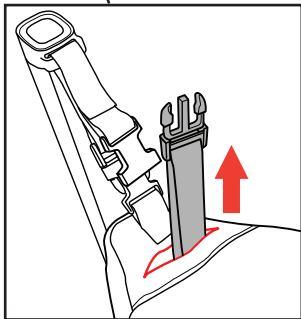
Setting Up the Playard

8

Bottom View



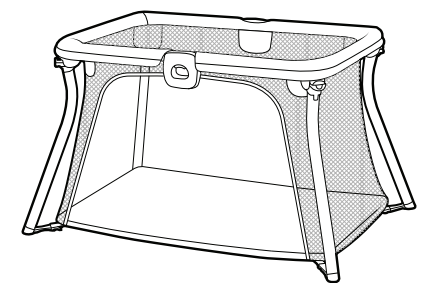
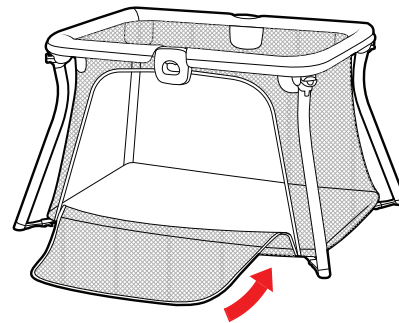
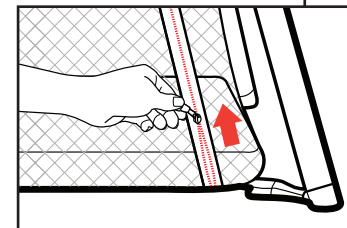
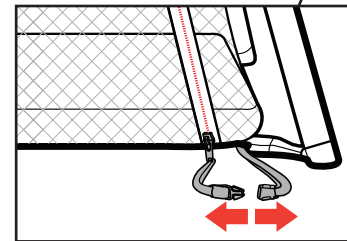
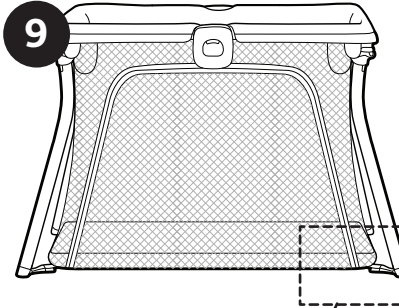
8. Pull the strap through the opening in the playard floor. Bring together the mattress buckle and the white Leg buckle to attach, as shown. Repeat this step for the remaining 3 Mattress Pad Buckles.



Play Area

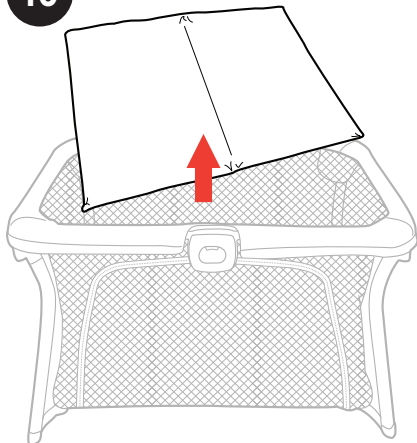
9

9. To convert from a playard to a play area. Undo the Zipper Buckle, and then unzip the door and tuck it under the playard floor.



Packing Up the Playard

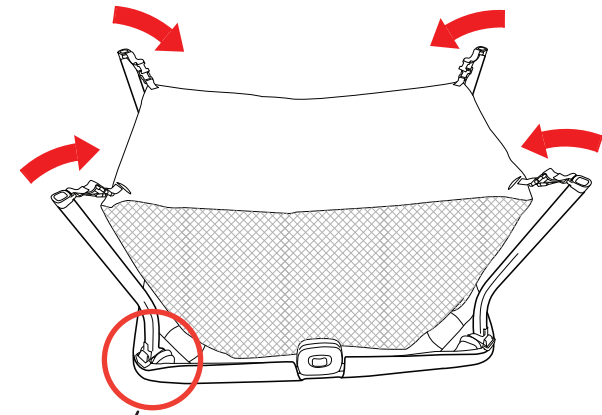
10



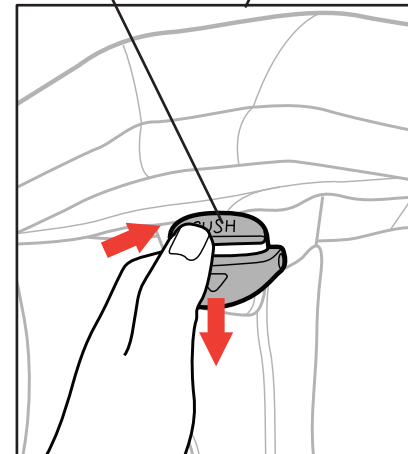
10. Undo the Mattress buckles on the bottom of the Frame and remove Mattress Pad from the playard. Reverse steps 5 and 6.

Packing Up the Playard

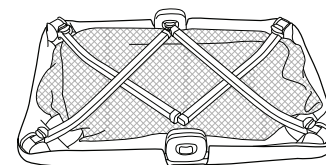
11



Release Button

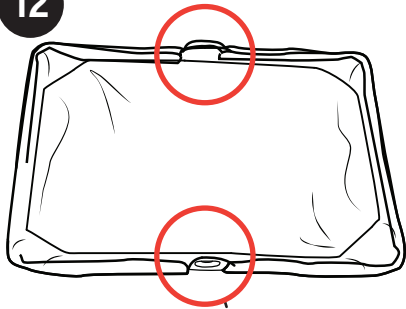


11. Flip the playard over and locate the Release Button on the corners of the playard. Push on the Release Button while at the same time pushing down on the bottom tab to unlock the leg. With the leg unlocked, fold the leg down. Repeat this step for remaining 3 legs.



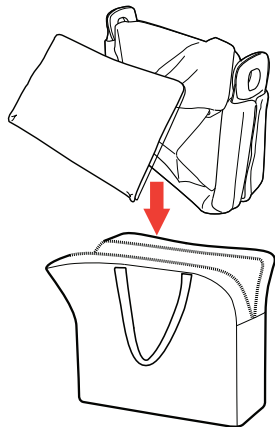
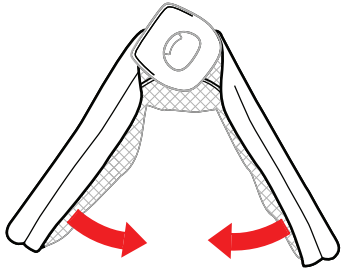
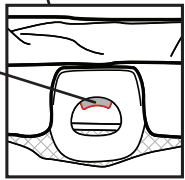
Packing Up the Playard

12



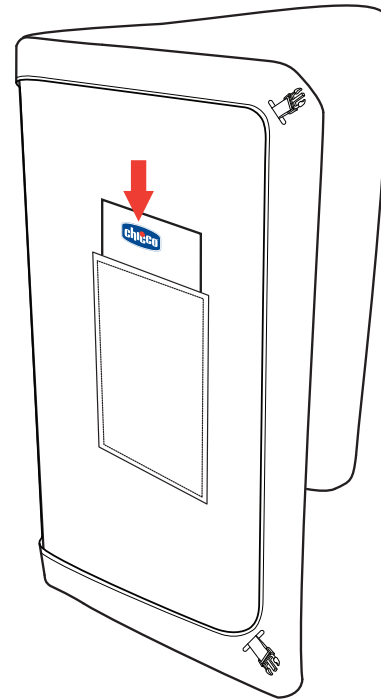
12. Flip the Playard Frame over, with the legs facing down. Then press in both Fold buttons located inside the Hubs on the playard frame. Fold the Playard Frame in half, as shown. Place the Playard Frame and folded mattress into the Carry Bag.

Fold Button



Store Instructions

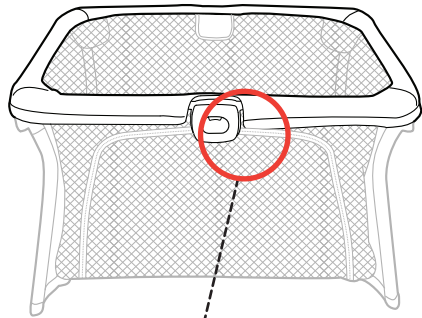
13



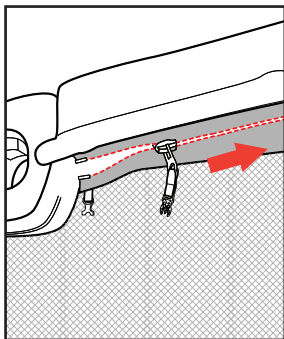
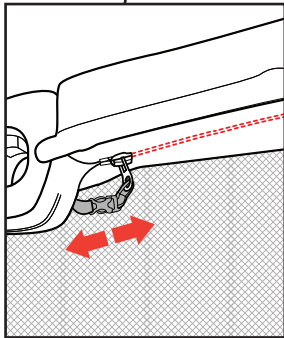
13. To keep instructions for future use: Place the manual in the storage sleeve located on the underside of the Mattress Pad.

Softgoods Removal

14

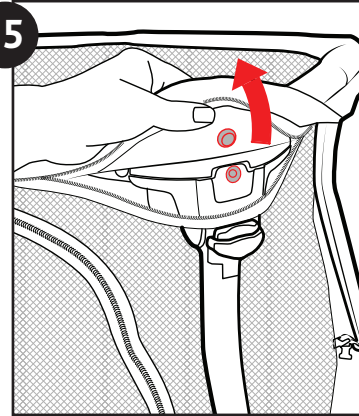


14. Locate the zipper under the top edge of the Playard Frame next to the folding hub. Undo the buckle, and then unzip both ends of the playard fabric.

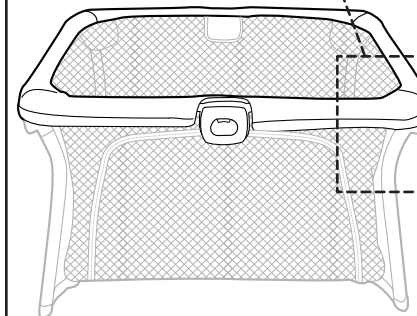
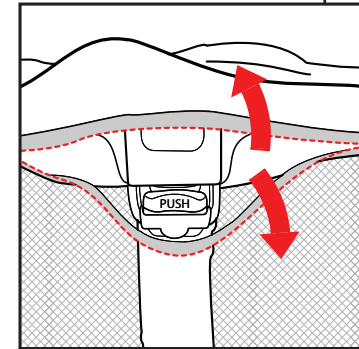


Softgoods Removal

15

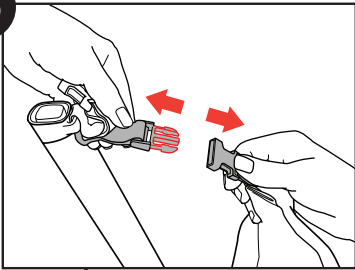


15. After both ends have been unzipped, undo all 4 snap buttons on each corner of the playard. The top portion of the zipper goes up and over the Frame, and the bottom portion of the zipper gets pulled down below the leg release button.

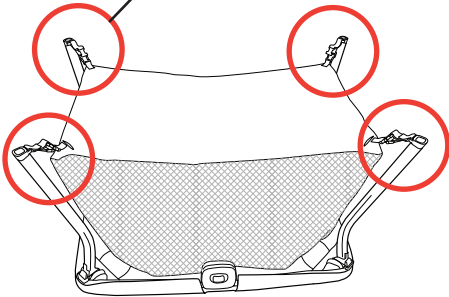


Softgoods Removal

16

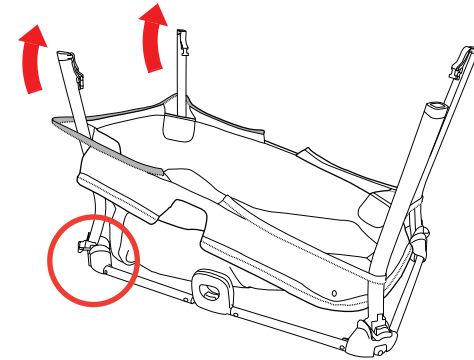


16. Flip the playard over and undo all 4 fabric buckles on the bottom of the playard.

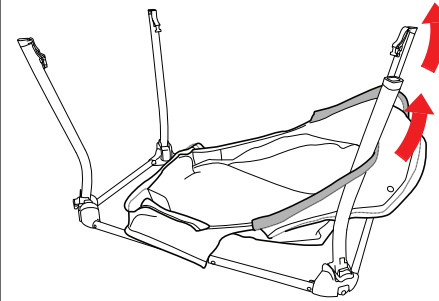


Softgoods Removal

17

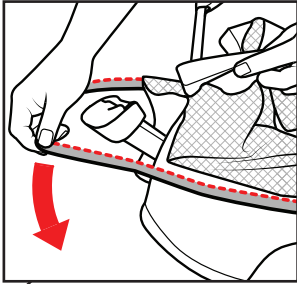


17. Turn the Playard Frame upside down. Then unlock 2 legs on one end of the playard, see step 9. Carefully remove the playard zipper fabric from around both legs and then repeat for the other 2 legs.



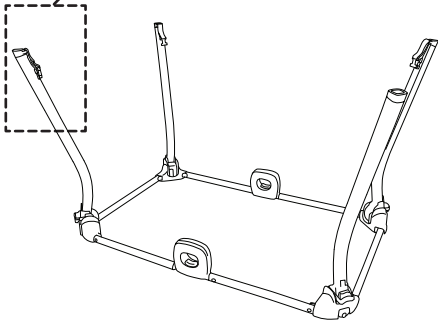
Tips for Reattaching Softgoods

16



16. Repeat steps 14 to 17 in reverse to reattach the playard fabric. On Step 17 make sure to place the lower section of the zipper over each leg. After the fabric has been zipped closed make sure safety buckle on zipper tang is clicked-in.

Make sure to follow steps 7 to 8 to attach the Mattress Pad.



Cleaning and Maintenance

This product requires regular maintenance. The cleaning and maintenance of the playard must only be carried out by an adult.

The Playard softgoods, and Fitted Sheet can be washed following the instructions on the care labels. The waterproof mattress pad should not be washed, but can be wiped clean.

CLEANING

Please refer to the care label for instructions on cleaning the fabric parts of the playard.

Periodically wipe clean plastic parts with a soft damp cloth. Always dry the metal parts to prevent the formation of rust if the playard has come into contact with water.

MAINTENANCE

Periodically check the playard for loose screws, worn parts, torn material or stitching. Replace or repair the parts as needed. Use only Chicco replacement parts. Keep the playard in a dry place. If playard becomes wet open playard and allow to dry completely. Prolonged exposure to direct sunlight may cause the fabric to fade and plastic parts to warp.

For More Information

If you have any questions or comments about this product, or are missing any of the parts please do not return this product to the store. Contact us in one of the following ways:



(877)-424-4226



info.usa@artsana.com



www.chiccousa.com



1826 William Penn Way
Lancaster, PA 17601



www.chiccousa.com