



Read all instructions BEFORE
assembly and USE of product.
KEEP INSTRUCTIONS FOR
FUTURE USE.



Presto™ Stroller

Owner's Manual



Failure to follow all warnings and instructions may result in serious injury or death. For your child's safety, read the labels and owner's manual before using the product.

- PLEASE SAVE OWNER'S MANUAL FOR FUTURE USE.
- ADULT ASSEMBLY REQUIRED.
- NEVER LEAVE CHILD UNATTENDED. Always keep child in view while in the stroller.
- AVOID SERIOUS INJURY from falling or sliding out. Always use seat belt. After fastening buckles, adjust belts to get a snug fit around your child.
- AVOID FINGER ENTRAPMENT: Use care when folding and unfolding the stroller. Be certain the stroller is fully opened and latched before allowing your child near the stroller.
- USE OF THE STROLLER with a child weighing more than 50 lbs (22.7 kg), will cause excessive wear and stress on the stroller. Use the stroller with only one child at a time.
- STROLLER TO BE USED only at walking speed. Product not intended for use while jogging, skating, etc.
- TO PREVENT A HAZARDOUS, UNSTABLE CONDITION, never place purses, shopping bags, parcels or accessory items on the canopy or handle. Do not place more than 10 lbs (4.5 kg) in the storage basket.
- DO NOT use storage basket as a child carrier.
- Avoid burns. Never put hot liquids in cup holder. Do not place more than 1 lb (0.5 kg) in cup holder.
- NEVER ALLOW YOUR STROLLER to be used as a toy.
- DISCONTINUE USING YOUR STROLLER should it become damaged or broken.
- AVOID STRANGULATION. DO NOT place items with a string around your child's neck, suspend strings from this product, or attach strings to toys.
- NEVER USE STROLLER ON STAIRS or escalators. You may suddenly lose control of the product and your child may fall out. Also, use extra care when going up or down a step or curb.
- Do not attempt to attach any infant car seat to the stroller other than the Chicco infant car seat. Injury or death may result when attempting to use this stroller in conjunction with infant car seats from other manufacturers.
- Before use, remove and dispose of all plastic bags and packaging materials and keep them out of reach of children.



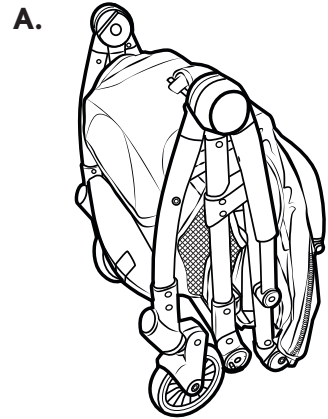
Failure to follow all warnings and instructions may result in serious injury or death. For your child's safety, read the labels and owner's manual before using the product.

- Before assembly, check that the product and all of its components have not been damaged during transportation.
- Do not use accessories, spare parts, or any component not supplied or approved by Chicco as they may make the stroller unsafe.

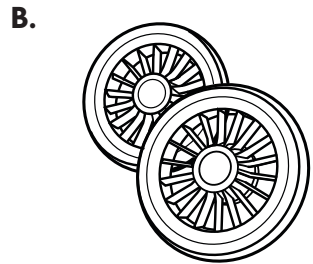
Using Chicco Infant Car Seat with stroller:

- Bumper Bar must be properly attached to use the Chicco infant car seat.
- ONLY USE the Chicco infant car seat with this stroller.
- Only use this product to transport infants that are within the size and weight limitations of the infant car seat.
- FALL HAZARD: Always check that infant car seat is securely attached to stroller frame by pulling up on the infant car seat.
- ALWAYS SECURE your child with the car seat harness. Always make sure child is properly harnessed in the car seat.
- Refer to your Chicco infant car seat owner's manual for additional warnings and use instructions before using this product.

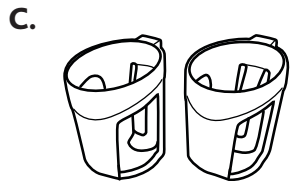
Components



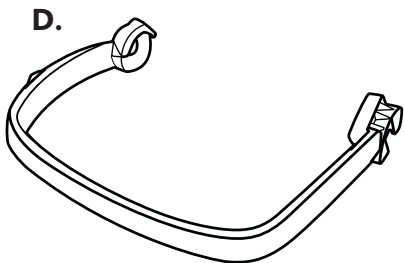
A. - Stroller Frame



B. - Rear Wheels



C. - Cup Holders



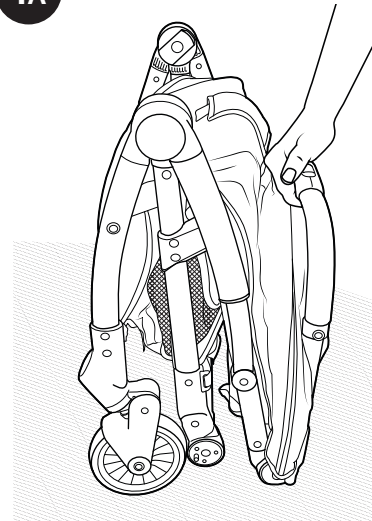
D. - Bumper Bar

How to Assemble Stroller

⚠WARNING

When opening the Stroller, ensure that your child, or other children, are at a safe distance. Ensure that during these operations, the movable parts of the Stroller do not come into contact with your child.

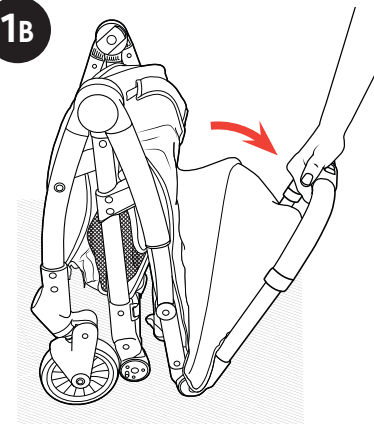
1A



If you have hardwood floors or linoleum you may want to perform this step on carpeting or lay down some protection for your floors.

1A. Stand the Stroller Frame (A) on end, as shown.

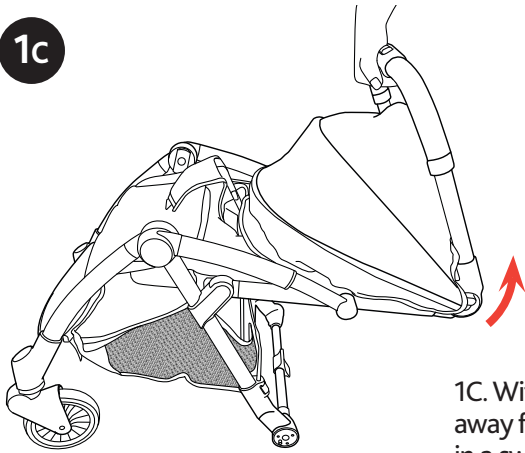
1B



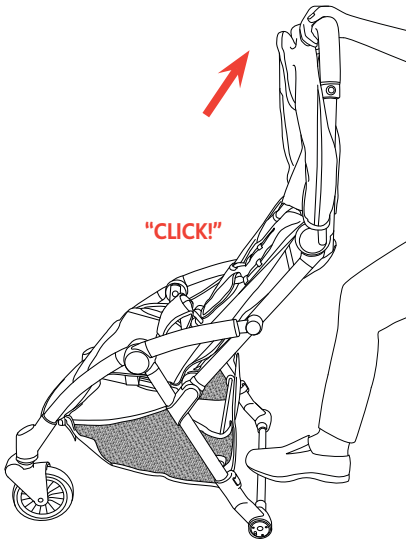
1B. Handle unlocks with downward motion.

How to Assemble Stroller

1c

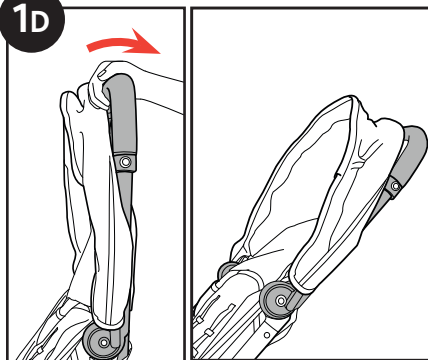


1C. With the Stroller handle pulled away from the seat as shown in 1B, lift in a sweeping back and up motion until the Stroller Frame clicks into place.



1D. Place your foot on the rear axle and pull back on the Stroller handle to align the handle with the frame. Check to ensure that the Stroller Frame is locked in the open position.

1d

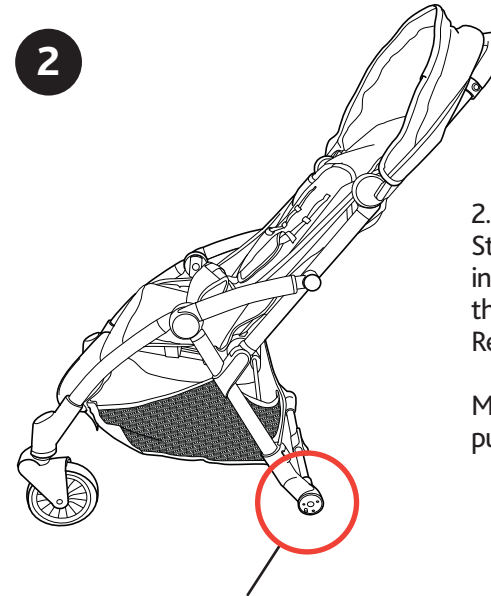


How to Assemble Stroller

⚠ WARNING

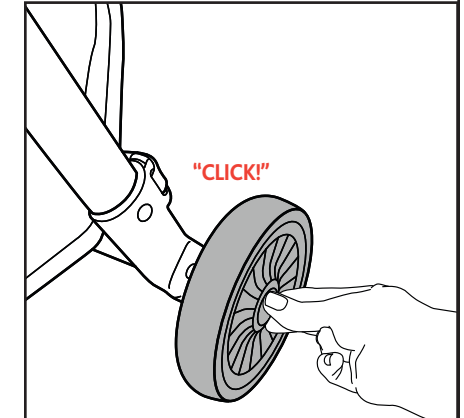
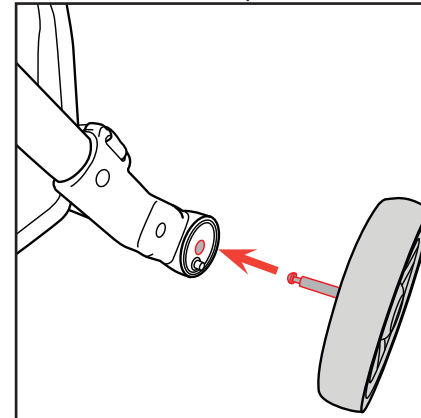
Check that the wheels are fitted correctly.

2



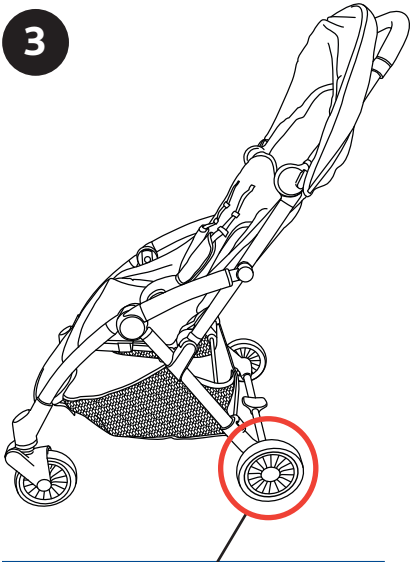
2. Attach the Rear Wheel (B) to the Stroller Frame by lining up and inserting the Rear Wheel Post into the opening on the frame, as shown. Repeat for the other side.

Make sure both Wheels are secure by pulling out on Wheel assemblies.

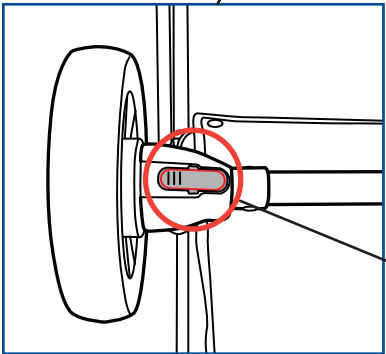


How to Remove Rear Wheels

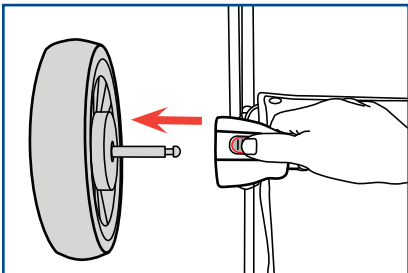
3



3. Remove the Rear Wheels (B) by pressing the Release Button on the bottom of the Rear Wheel Mount, as shown. At the same time, pull the Rear Wheel off of the Stroller Frame. Repeat for the other side.

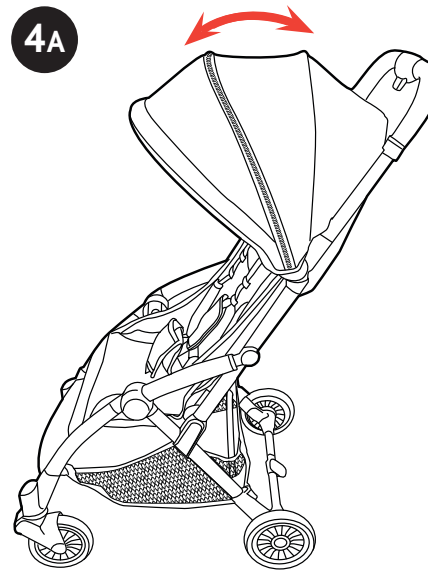


Release Button



How to Use the Canopy

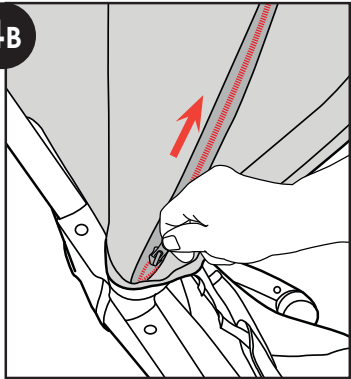
4A



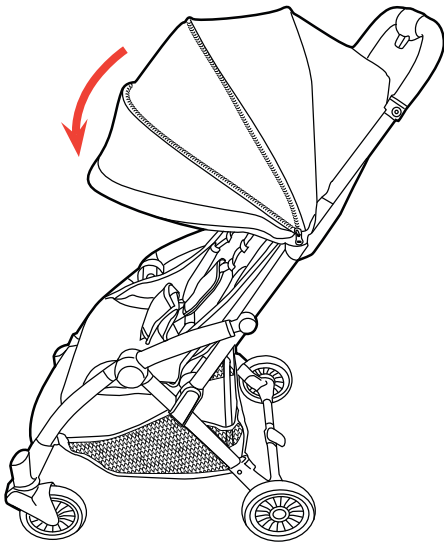
4A. To open the Canopy, pull the front edge of the Canopy forward. Reverse this step to close the Canopy.

How to Use the Canopy

4B

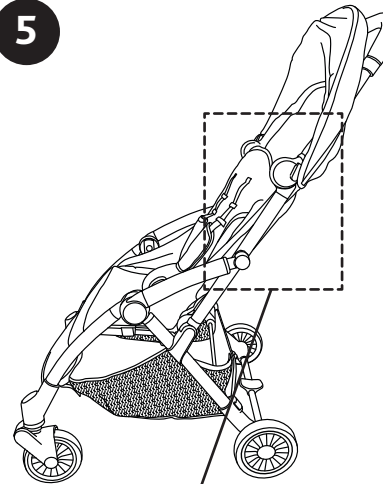


4B. For extra coverage, locate and unzip the zipper. Pull forward on the Canopy front edge to extend the Canopy, as shown.



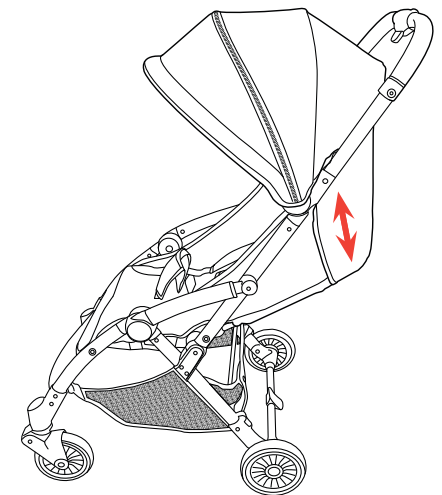
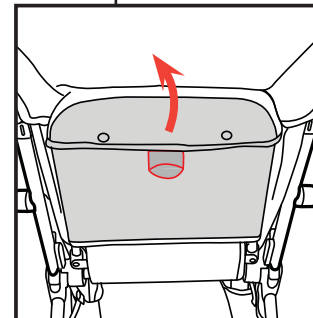
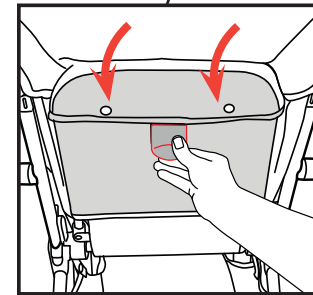
How to Recline the Seat

5



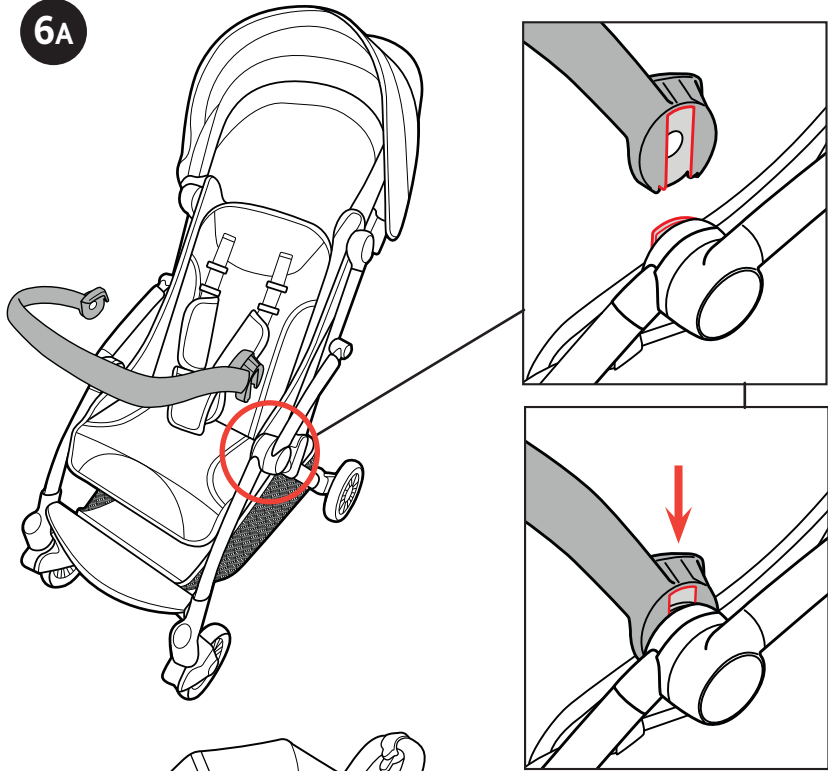
The Backrest has 3 positions.

5. To Recline the Backrest, lift up on the Recline Adjuster Lever and pull down. To adjust the Backrest into an upright position, push up on the Backrest until you reach the desired position.



How to Use the Bumper Bar

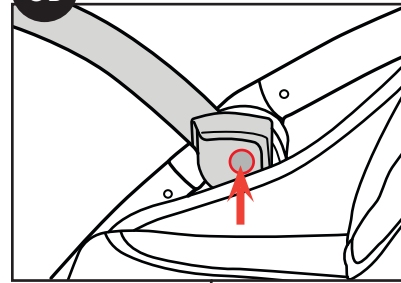
6A



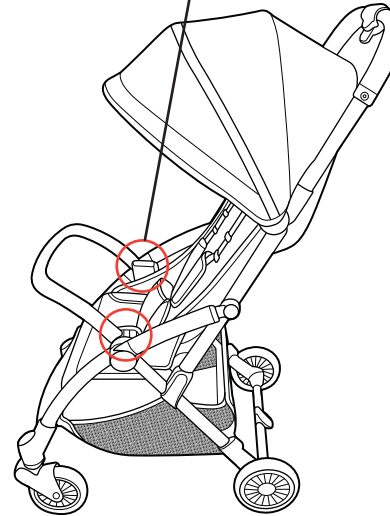
6A. To use the Bumper Bar (D), line up the Bumper Bar slots with the inside Bumper Bar Mount grooves on the stroller frame, as shown. Slide the Bumper Bar down onto the Bumper Bar Mount and push down until it snaps into position.

How to Use the Bumper Bar

6B

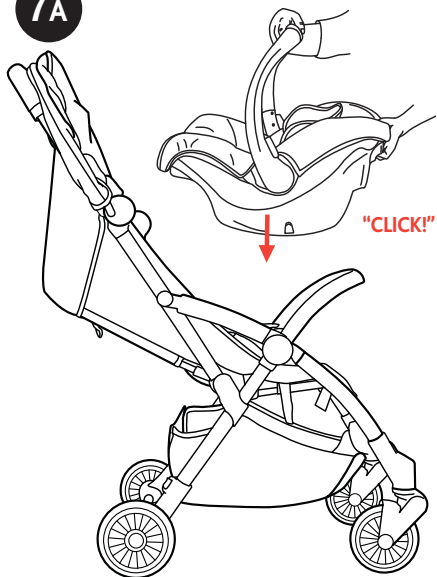


6B. To remove the Bumper Bar (D), locate both center snap buttons, as shown. Press in on both snap buttons with your thumbs and pull up at the same time.



Using the Chicco Infant Car Seat

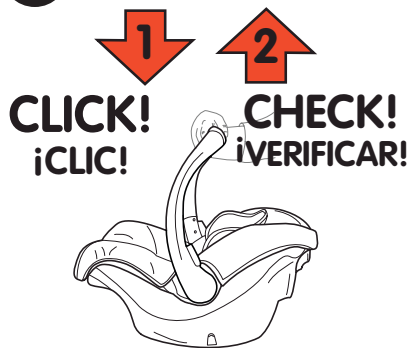
7A



7A. With the Bumper Bar attached and the Stroller Backrest **FULLY RECLINED**, place the Chicco infant car seat into the Stroller Frame. The car seat will only fit into the frame "REAR FACING ONLY". The baby will be facing you when pushing the stroller. Make sure infant car seat clicks into the stroller frame on both sides.

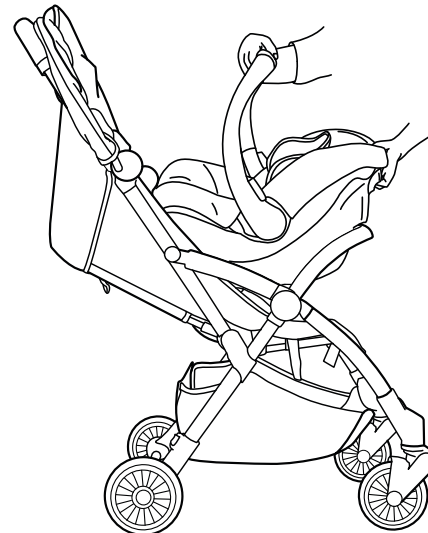
Note: Pull up on the infant car seat; make sure it is secured to stroller frame (7B). If using the Canopy with the infant car seat rotate the handle down, to allow the Canopy to fully extend open.

7B

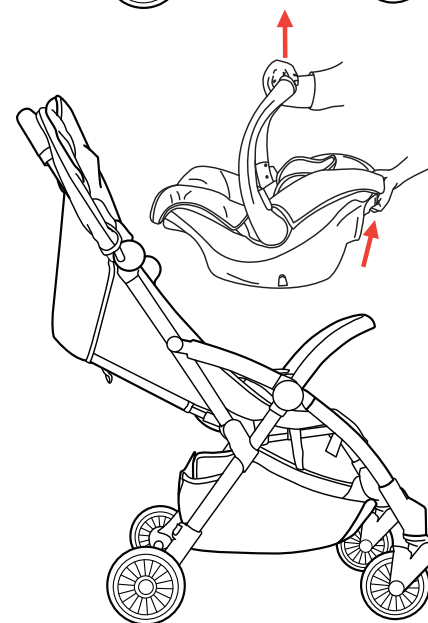


Using the Chicco Infant Car Seat

8

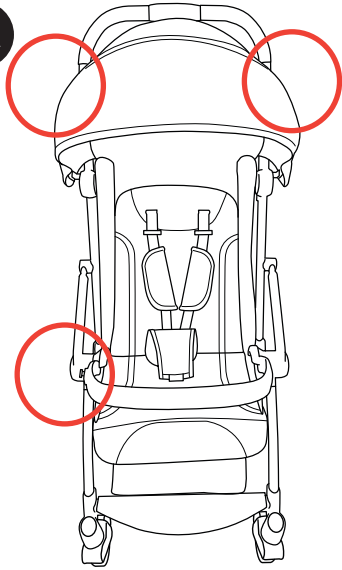


8. Squeeze the Release Handle on the back of the infant car seat and lift up on the carrying handle, to remove the infant car seat.



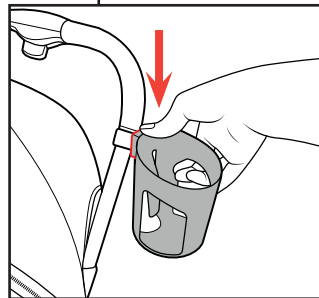
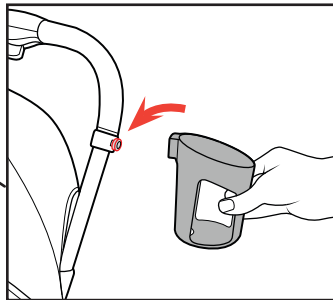
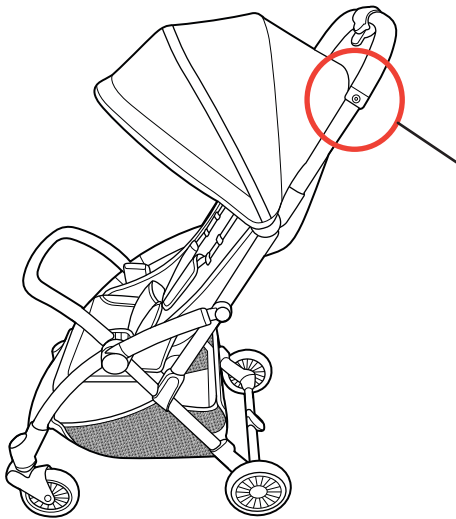
How to Use Cup Holder

9A



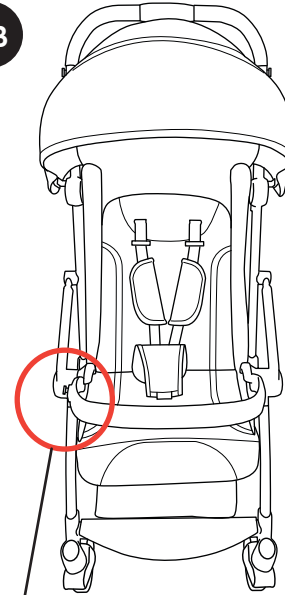
Cup Holders can be attached to the right side of the Bumper Bar and either side of the Stroller Frame. The Cup Holders are interchangeable and will fit in any of the 3 available positions.

9A. To attach the Cup Holder (C), locate the Cup Holder attachment post on the Stroller. Slide the notched cutout on the Cup Holder onto the Cup Holder attachment post, as shown. Press down on the top edge of the Cup Holder above the notched cutout until it is fully seated.



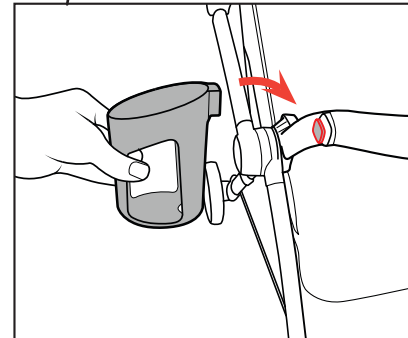
How to Use Cup Holder

9B



9B. The attachment post on the Bumper Bar is square to prevent your child from rotating the Cup Holder upside down.

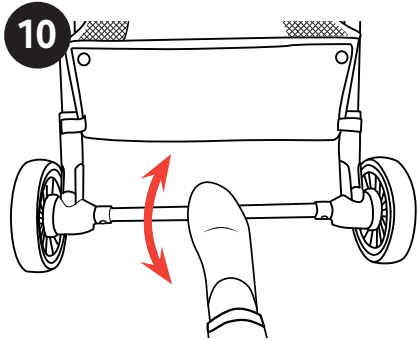
To remove the Cup Holder, reverse step 9A.



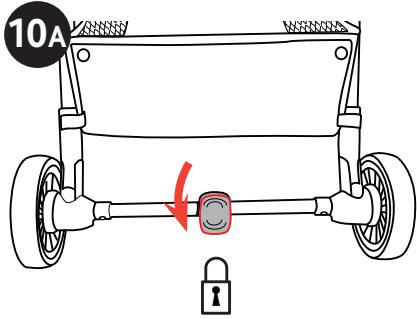
How to Use the Brakes

⚠️ WARNING

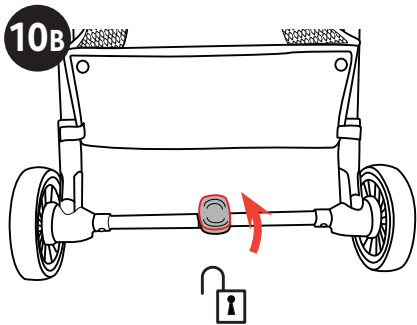
Always apply brakes whenever the stroller is stationary. Never leave the stroller on a sloped surface, with a child onboard, even with the brakes applied.



10. To engage the Stroller Brakes, step on the Brake Lever and rotate the Lever down to LOCK the Rear Wheels (10A). Pull back and forth on the Stroller to make sure that the brakes are engaged.

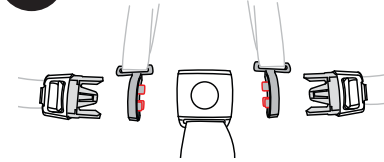


To UNLOCK the Stroller, step on the Brake Lever and rotate the Lever forward to unlock the Rear Wheels (10B).

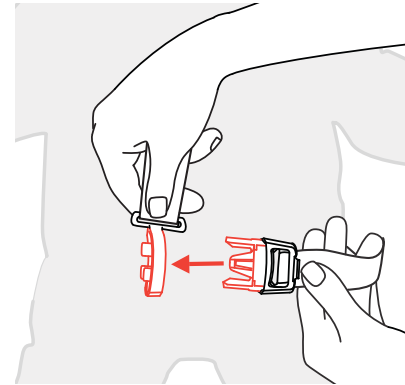


How to Use Safety Harness

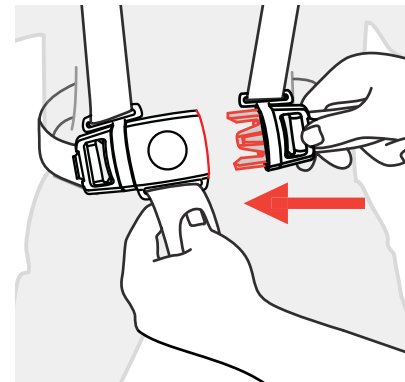
11A



11A. This stroller has a 5-point safety harness. The Shoulder Strap Connector is designed to break away from the Waist Clip when not secured in the Crotch Strap Buckle.



Make sure the Shoulder Strap Connector is in the correct position, as shown. Slide the Shoulder Strap Connector onto the Waist Strap Clip and repeat for the other side. Then slide both Waist Clips into the Crotch Strap Buckle, as shown. Pull on both sides to make sure the Clips are secured to the Buckle.

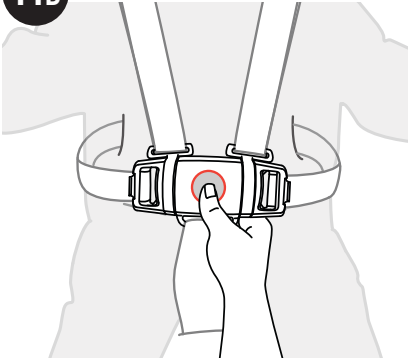


How to Use Safety Harness

⚠️ WARNING

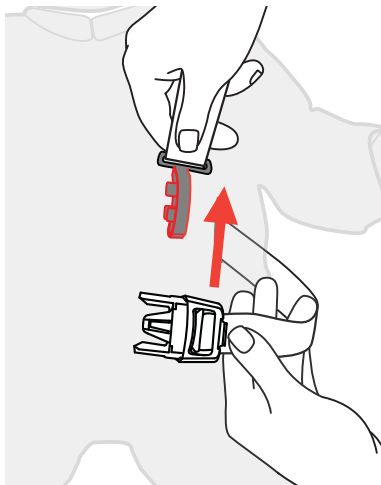
Never leave child unattended. Avoid serious injury from falling or sliding out. Always use seat belt.

11B



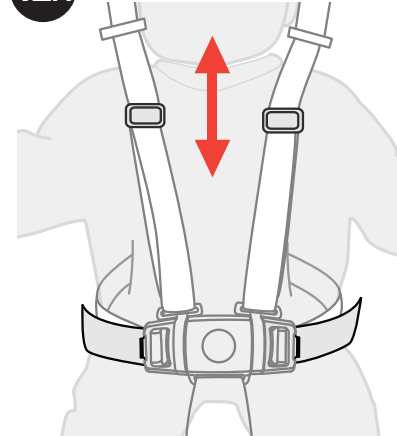
11B. The Safety Harness can be released by pressing the button on the center of the Buckle and pulling both Waist Clips out.

Pull up on the Shoulder Strap Connector to remove it from the Waist Strap Clip.



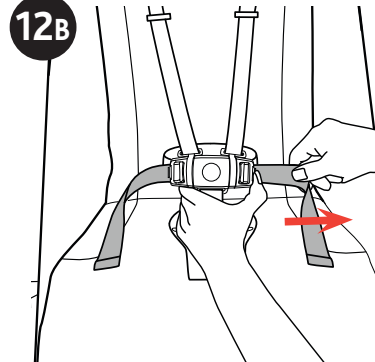
How to Use Safety Harness

12A



12A. The length of the Shoulder Straps can be adjusted by pulling on the adjustment buckles to tighten or loosen.

12B

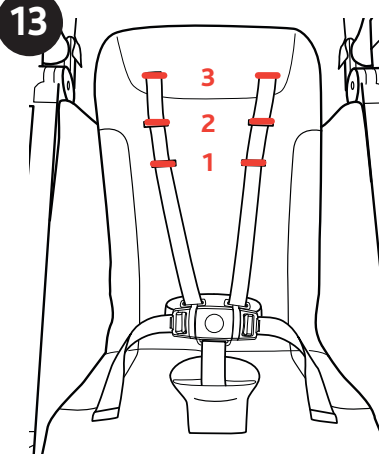


12B. The length of the waist straps can be adjusted. Press the tab at the end of the Waist Strap Clip and pull on the strap to tighten or loosen, to better fit your child.

How to Use Safety Harness

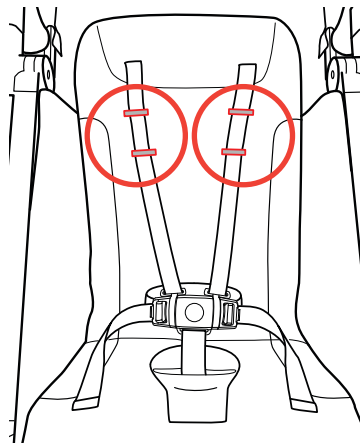
⚠️ WARNING

This stroller features three harness positions. Always use a harness position located ABOVE the child's shoulder line. If multiple harness positions are above the child's shoulder line, use the one closest to it.



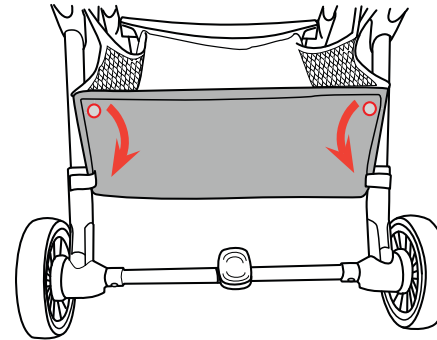
13. It is recommended that a child under 6 months old ride in a Chicco infant car seat as part of the travel system.

The Shoulder Straps can be adjusted to 3 height positions as shown. To adjust the Shoulder Harness, release the Shoulder Strap Connector from the Waist Clip then slide the Shoulder Strap through the loops. Always use the same loop position for both straps.



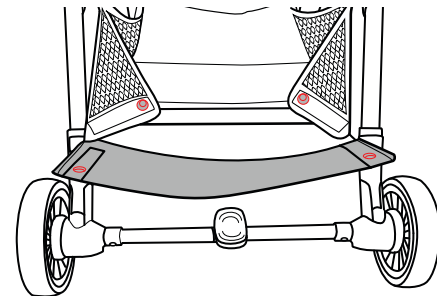
How to Use Basket

14



The Basket can be best accessed from both the front and back of the stroller.

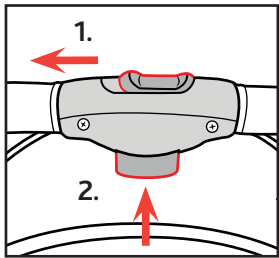
14. For additional basket access from the back of the stroller, undo both snap buttons and hook and loop sections, as shown.



How to Fold Stroller

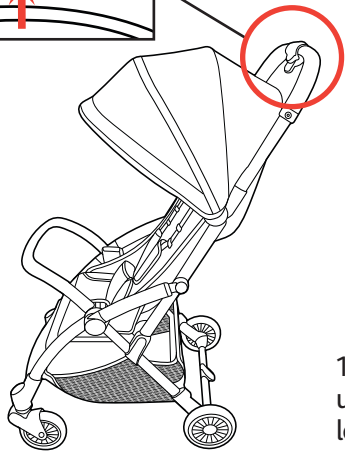
⚠️ WARNING

When folding the Stroller, make sure that your child and other children are at a safe distance. Ensure that during the operations, the movable parts of the Stroller do not come in contact with your child.

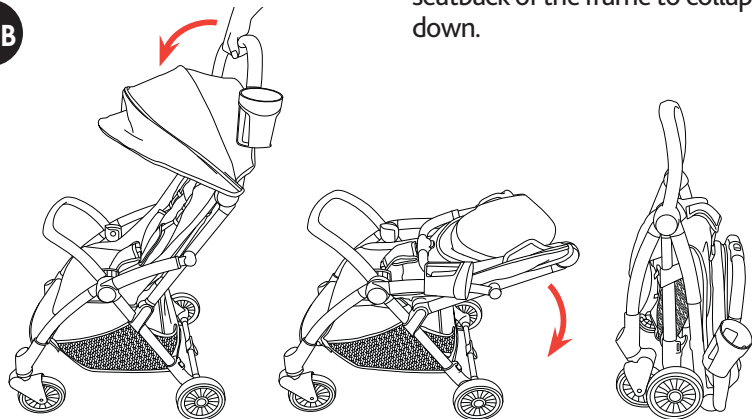


15A. To fold the stroller, 1) push the release button to the left with your thumb. 2) Then squeeze the Locking Button with your fingers. At the same time push forward on the stroller handle.

15A



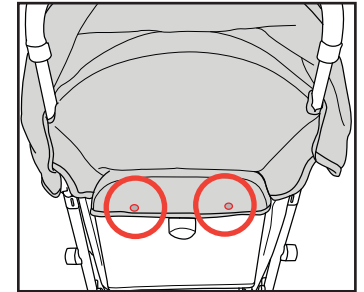
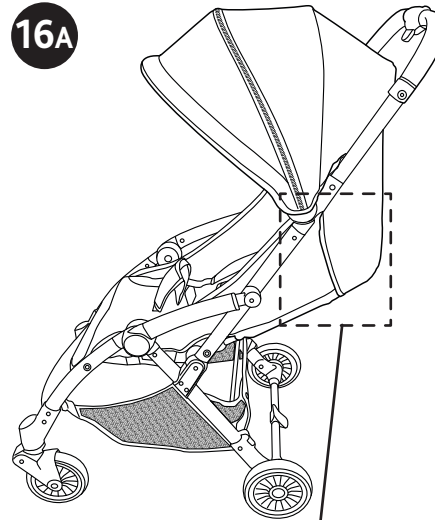
15B



15B. Fold the Handle forward to unlock the stroller frame. Then release the handle and allow the seatback of the frame to collapse down.

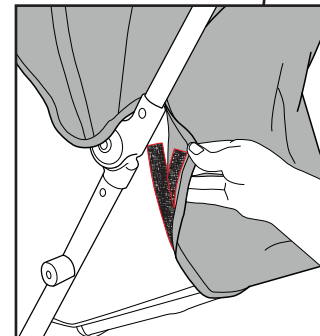
How to Remove Canopy

16A



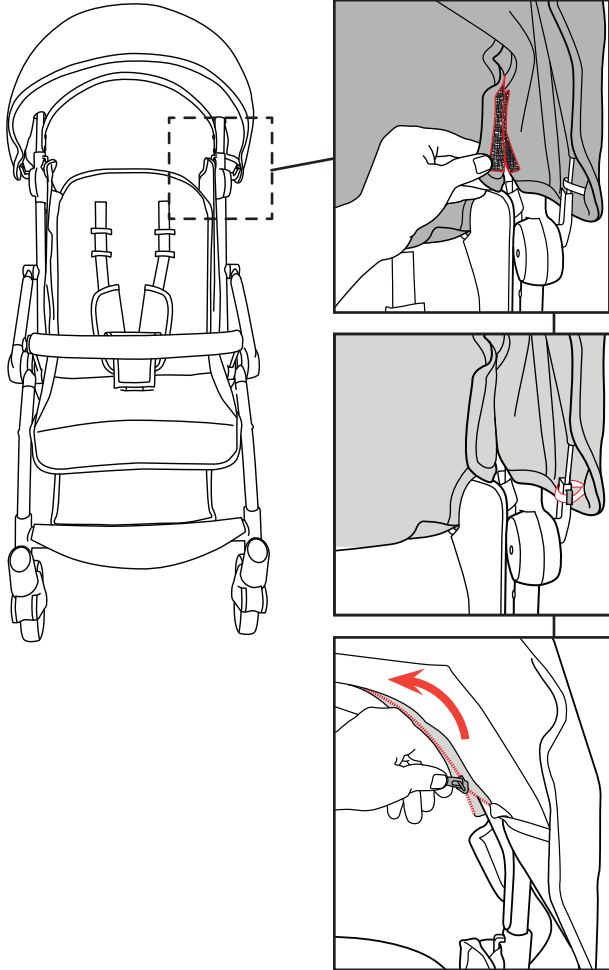
To remove the Canopy, recline the Seat Back to the lowest position.

16A. Undo 2 snap buttons on the Seat Back. Then locate and undo the side sections of hook and loop.



How to Remove Canopy

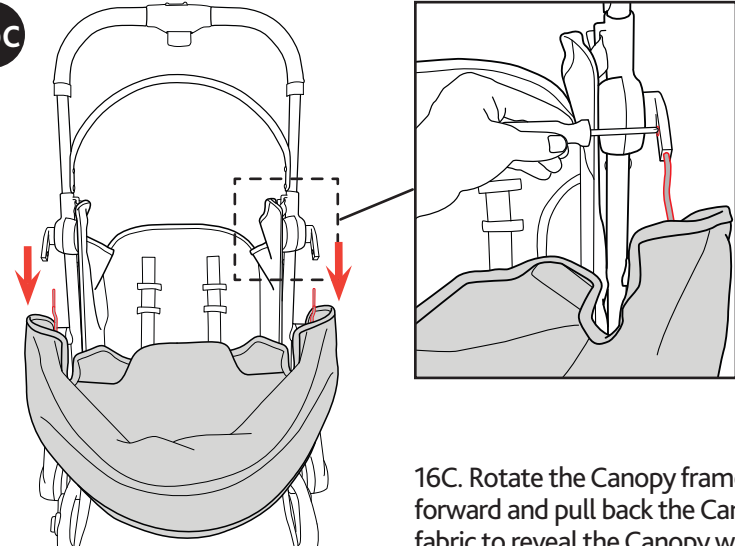
16B



16B. On the inside of the Canopy, locate and undo 2 side sections of hook and loop. Locate the elastic strap hooked to the Canopy hub and slide it out from under the catch hook. Then unzip the zipper on the inside of the canopy, as shown.

How to Remove Canopy

16c

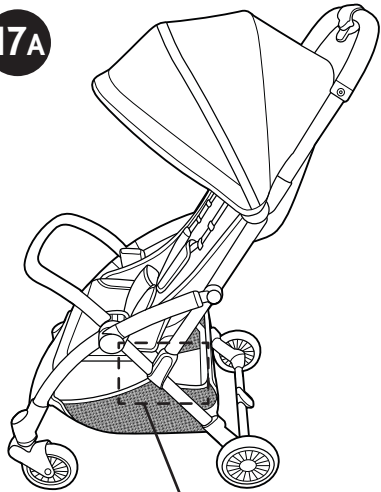


16C. Rotate the Canopy frame forward and pull back the Canopy fabric to reveal the Canopy wire, as shown. On one side use a Phillips head screwdriver to release the snap button, and at the same time pull out on the Canopy Wire. Repeat for the other side.

To re-attach the Canopy repeat step 16 in reverse.

How to Remove Basket

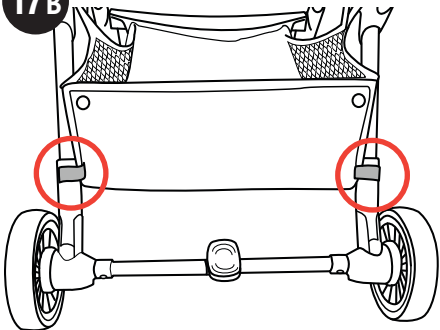
17A



Open the back of the Basket as shown in step 14.

17A. To remove the Basket for cleaning, undo both snap buttons above the rear wheels, as shown.

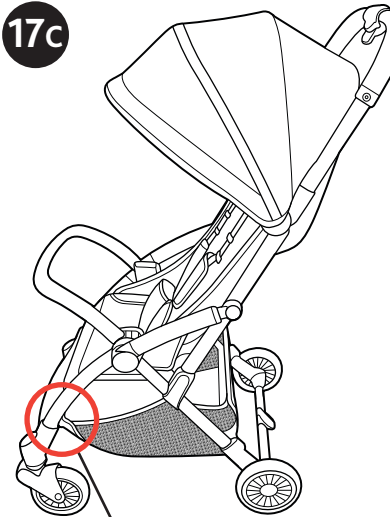
17B



17B. Locate 2 webbing loops that attach the Basket to the stroller frame above the rear wheels and slide them out from the catch hooks.

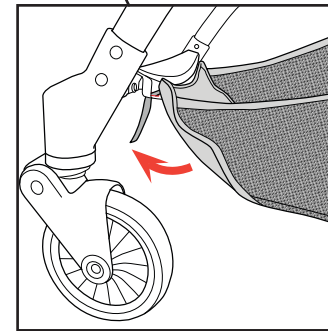
How to Remove Basket

17C



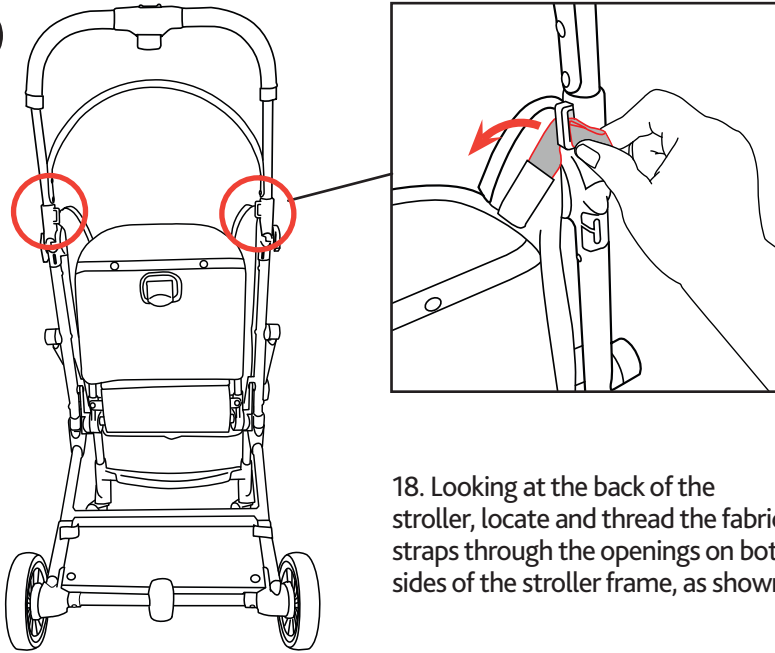
17C. Locate and undo 3 hook and loop straps on the back of the footrest. Pull the straps through the openings.

Repeat step 17 in reverse to re-attach the Basket.



How to Remove Seat Fabric

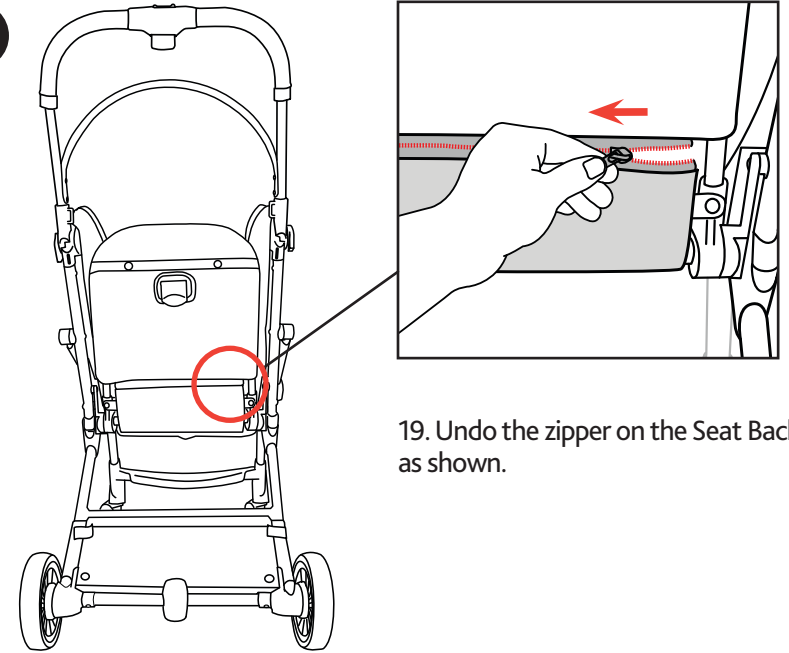
18



18. Looking at the back of the stroller, locate and thread the fabric straps through the openings on both sides of the stroller frame, as shown.

How to Remove Seat Fabric

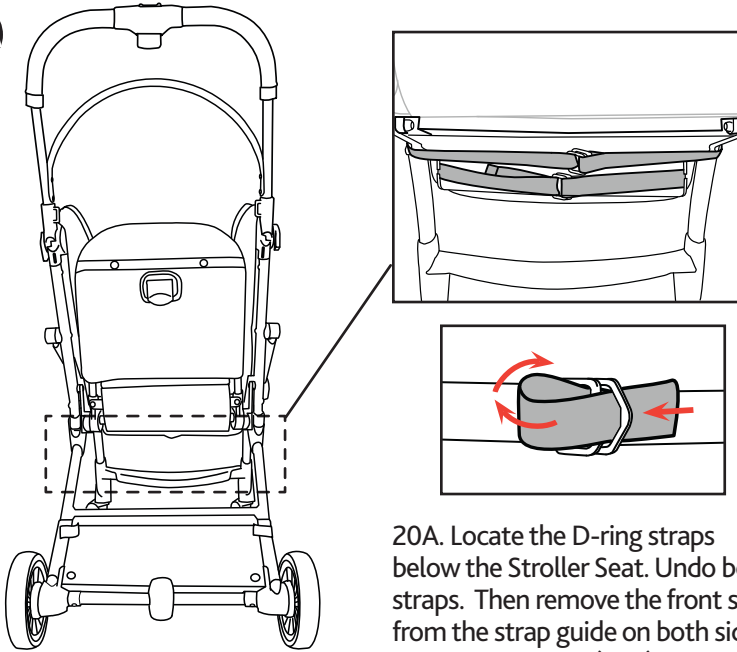
19



19. Undo the zipper on the Seat Back, as shown.

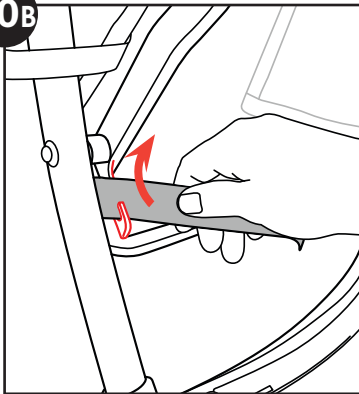
How to Remove Seat Fabric

20A



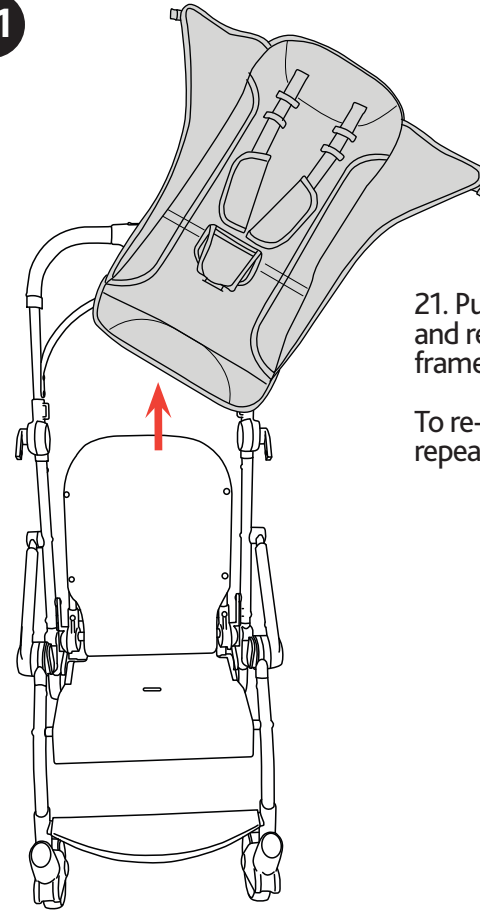
20A. Locate the D-ring straps below the Stroller Seat. Undo both straps. Then remove the front strap from the strap guide on both sides of the Stroller frame (20B), as shown

20B



How to Remove Seat Fabric

21



21. Pull up on the Seat Back fabric and remove it from the stroller frame, as shown.

To re-attach the seat fabric, repeat steps 18 thru 21 in reverse.

Cleaning and Maintenance

This product requires regular maintenance. The cleaning and maintenance of the stroller must only be carried out by an adult.

CLEANING

Hand wash the seat fabric and canopy using mild soap and water. Hang to dry.

Periodically wipe clean plastic parts with a soft damp cloth. Always dry the metal parts to prevent the formation of rust if the stroller has come into contact with water.

MAINTENANCE

Lubricate the moving parts only if necessary, with a light application of a silicone based lubricant. Periodically check the condition of the wheels, and keep them clean of dust and sand. To avoid friction that may prevent the correct operation of the stroller, ensure that all the movable plastic parts placed along the metal frame are clean of dust, dirt or sand. Keep the stroller in a dry place. Prolonged exposure to direct sunlight may cause the fabric to fade.

For More Information

If you have any questions or comments about this product, or are missing any of the parts please do not return this product to the store. Contact us in one of the following ways:



(877)-424-4226



info.usa@artsana.com



www.chiccousa.com



1826 William Penn Way
Lancaster, PA 17601



www.chiccousa.com