



Read all instructions **BEFORE** assembly
and **USE** of product.

KEEP INSTRUCTIONS FOR FUTURE USE.

LITEWAY[®]

Stroller

WARNING

Failure to follow all warnings and instructions may result in serious injury or death. For your child's safety, read the labels and owner's manual before using the product.

PLEASE SAVE OWNER'S MANUAL FOR FUTURE USE.

- ADULT ASSEMBLY REQUIRED.
- NEVER LEAVE CHILD UNATTENDED. Always keep child in view while in the stroller.
- AVOID SERIOUS INJURY from falling or sliding out. Always use seat belt. After fastening buckles, adjust belts to get a snug fit around your child.
- AVOID FINGER ENTRAPMENT: Use care when folding and unfolding the stroller. Be certain the stroller is fully opened and latched before allowing your child near the stroller.
- USE OF THE STROLLER with a child weighing more than 40 lbs (18 kg), will cause excessive wear and stress on the stroller. Use the stroller with only one child at a time.
- STROLLER TO BE USED only at walking speed. Product not intended for use while jogging, skating, etc.
- TO PREVENT A HAZARDOUS, UNSTABLE CONDITION, never place purses, shopping bags, parcels or accessory items on the canopy or handle. Do not place more than 6.6 lbs (3 kg) in the storage basket.
- DO NOT overload the storage pouch. Maximum weight 1 lb (0.5 kg).
- DO NOT use storage basket as a child carrier.
- Avoid burns. Never put hot liquids in cup holder. Do not place more than 1 lbs (0.5 kg) in the cup holder.
- NEVER ALLOW YOUR STROLLER to be used as a toy.
- DISCONTINUE USING YOUR STROLLER should it become damaged or broken.
- AVOID STRANGULATION. DO NOT place items with a string around your child's neck, suspend strings from this product, or attach strings to toys.

WARNING

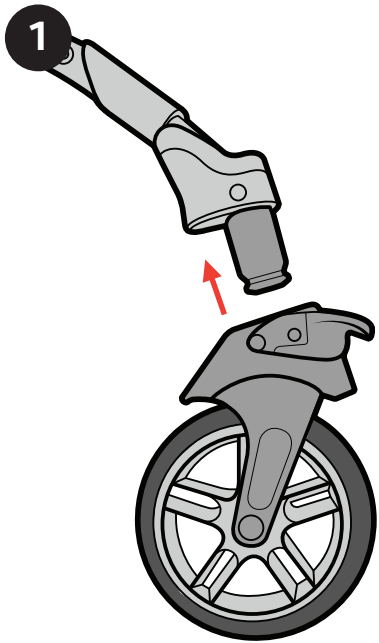
Failure to follow all warnings and instructions may result in serious injury or death. For your child's safety, read the labels and owner's manual before using the product.

- NEVER USE STROLLER ON STAIRS or escalators. You may suddenly lose control of the product and your child may fall out. Also, use extra care when going up or down a step or curb.
- DO NOT attempt to attach any infant car seat to the stroller. Injury or death may result when attempting to use this stroller in conjunction with an infant car seat.
- Before use, remove and dispose of all plastic bags and packaging materials and keep them out of reach of children
- Before assembly, check that the product and all of its components have not been damaged during transportation.
- DO NOT use accessories, spare parts, or any component not supplied or approved by Chicco as they may make the stroller unsafe.

How to Assemble Front Wheels

⚠️ WARNING

Before use, ensure that the wheels are safely locked into position.



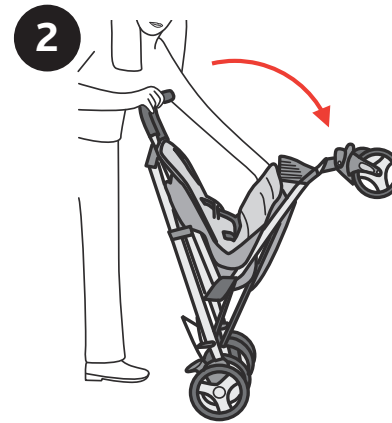
1. Attach the Front Wheel to the Stroller Frame by lining up and inserting the Front Wheel Post into the corresponding opening on the Front Wheel, as shown.

Make sure both Wheels are secure by pulling down on Wheel assemblies.

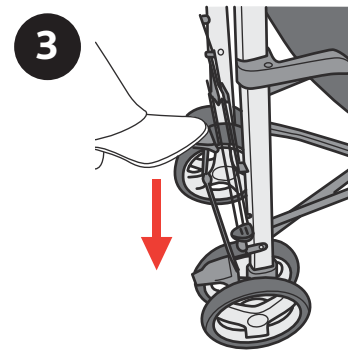
How To Open Stroller

⚠️ WARNING

When opening the stroller, ensure that your child, or other children, are at a safe distance. Ensure that during these operations, the movable parts of the stroller do not come into contact with your child. Before use, ensure that the stroller is in the open position by checking that the locking mechanism at the rear of the stroller is fully engaged.



2. Release the side-mounted locking device and push the front part of the stroller forward.

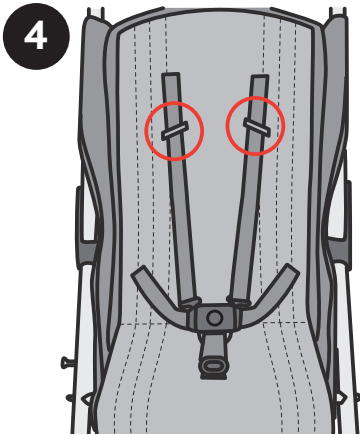


3. Push the rear locking mechanism downward with your foot. Ensure that the stroller is open and locked in the correct position.

How to Use Safety Harness

⚠️ WARNING

This stroller features two harness positions. Always use a harness position located ABOVE the child's shoulder line. If both harness positions are above the child's shoulder line, use the one closest to it.



4. This stroller has a five-point safety harness featuring two shoulder straps, two adjustment holes, a waist strap and a crotch strap with buckle.

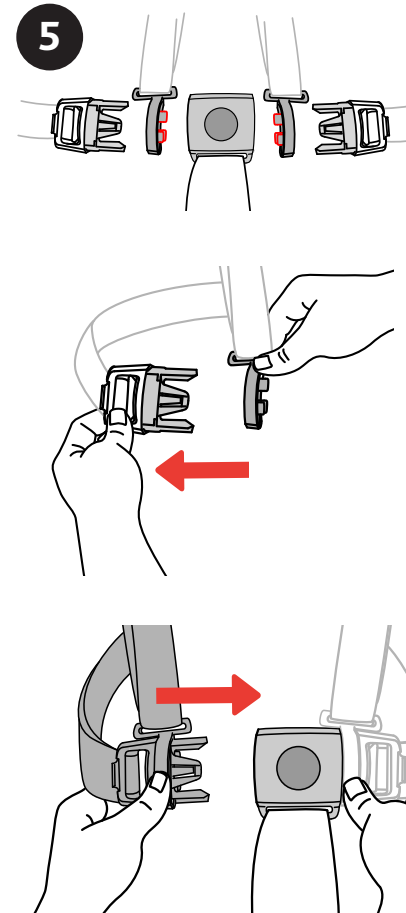
If necessary, adjust the height of the shoulder straps, inserting them into the adjustment loops.

Always make sure the Shoulder Straps are adjusted to the same height on each side.

How to Use Safety Harness

⚠️ WARNING

Never leave child unattended. Avoid serious injury from falling or sliding out. Always use seat belt.

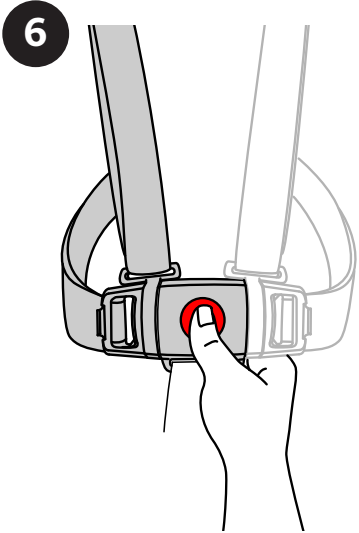


5. The Shoulder Strap Connector is designed to break away from the Waist Clip when not secured in the Crotch Strap Buckle.

Make sure the Shoulder Strap Connector is in the correct position, as shown. Slide the Shoulder Strap Connector onto the Waist Strap Clip and repeat for the other side.

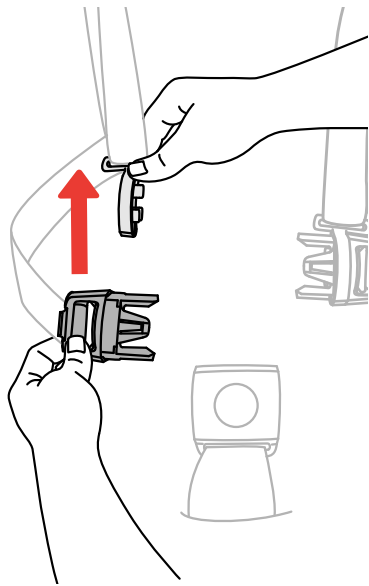
Then slide both Waist Clips into the Crotch Strap Buckle as shown. Pull on both sides to make sure the Clips are secured to the Buckle.

How to Use Safety Harness

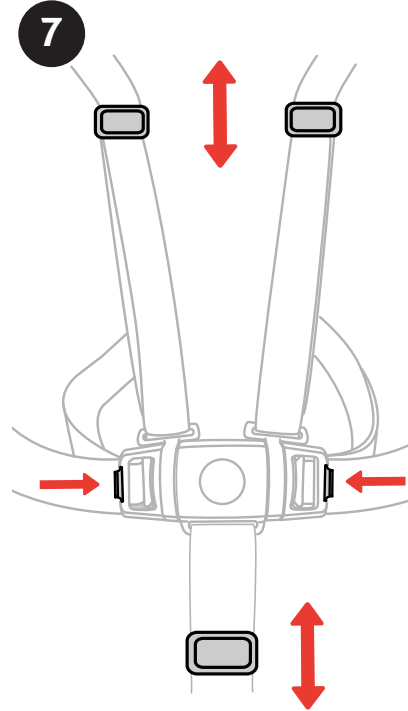


6. The safety harness can be released by pressing the button on the center of the Crotch Strap Buckle and pulling both Waist Clips out.

Pull on the Shoulder Strap Connector to remove it from the Waist Strap Clip.



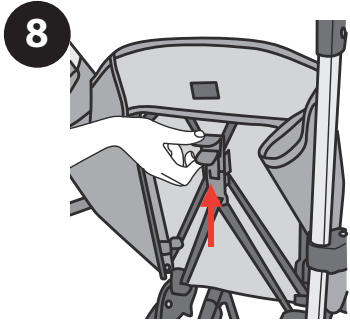
How to Use Safety Harness



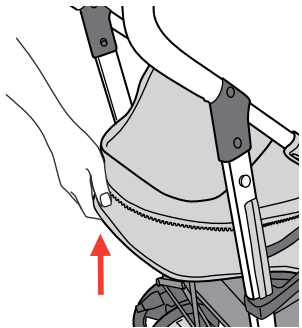
7. The length of the Shoulder Straps and Crotch Strap can be adjusted by pulling on the adjustment buckles to tighten or loosen.

The length of the Waist Straps can be adjusted by pressing the tab at the end of the Waist Strap Clip and pulling on the strap to tighten or loosen to better fit your child.

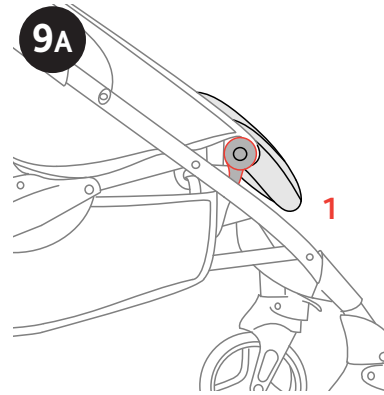
How to Adjust Backrest



8. To recline the Backrest, squeeze together both levers and pull down on the Backrest. To adjust the Backrest into an upright position, push up on the Backrest until it locks into the desired position.

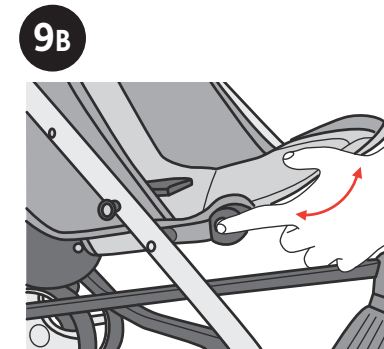
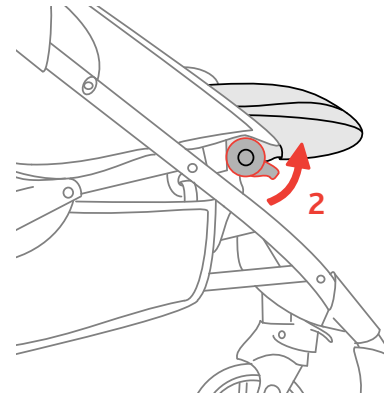


How to Adjust Leg Rest



The stroller's Leg Rest can be adjusted to offer extra comfort to your child.

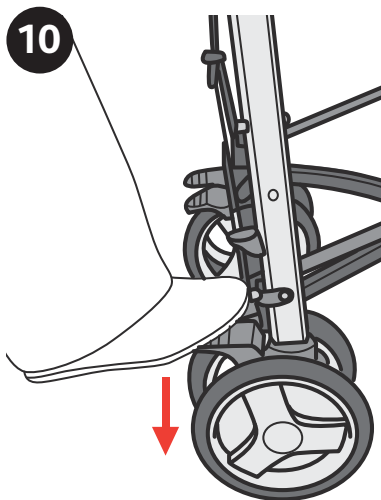
9A. Rotate the two side levers simultaneously to adjust the Leg Rest to the desired position. Press the two side buttons simultaneously to release the Leg Rest to the desired position (9B).



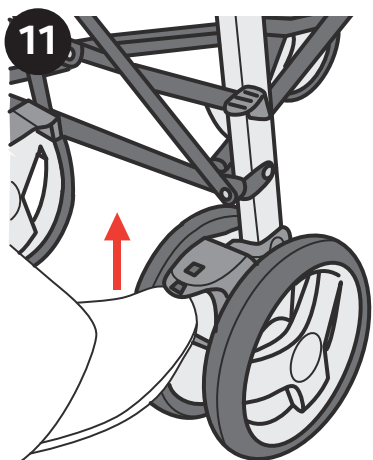
How to Use Brakes

⚠️ WARNING

Always apply both brakes whenever the stroller is stationary. Never leave the stroller on a sloped surface, with a child onboard, even with the brakes applied.



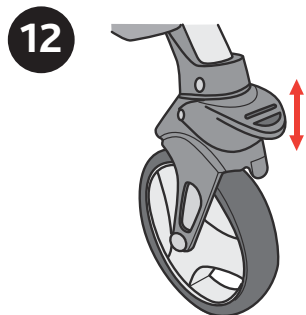
10. To apply the brakes, push on each of the two levers located at the center of the rear wheel units in a downward direction.



11. To unlock the braking system, push each one of the two levers located at the center of the rear wheel units in an upward direction.

How to Use Front Swivel Wheels

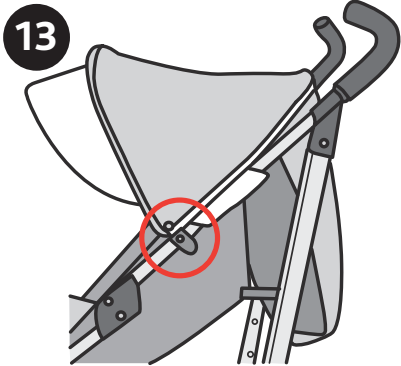
The stroller has front swivel/fixed wheels. It is recommended that you use the fixed mode on uneven surfaces and the swivel mode on normal road surfaces. Make sure you lock both front wheels.



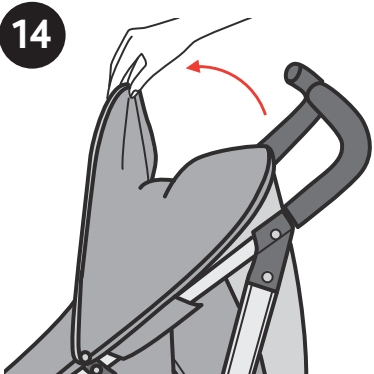
12. To use the front wheels in the swivel mode, push the front lever in an upward direction with your foot. To use the front wheels in the fixed mode, lower the lever with your foot. The wheel will lock in the straight position, regardless of its previous position.

How to Use Canopy

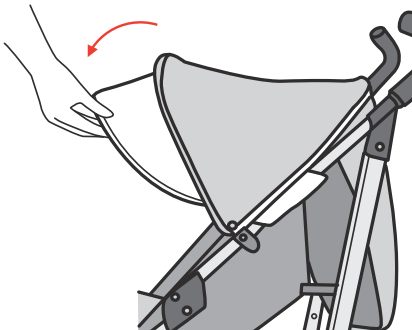
The canopy must be fixed on both sides of the stroller. Ensure that the canopy is correctly secured into position.



13. To fit the canopy, fasten the plastic clip in the indicated position. Be sure the button on the frame nests into the hole on the canopy clip.



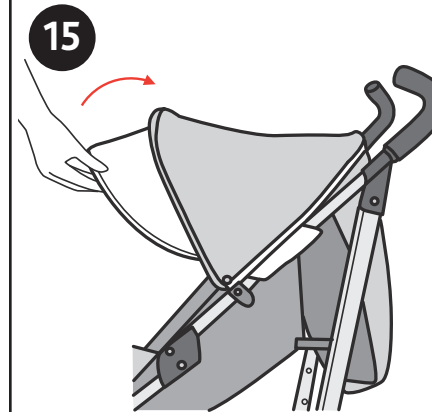
14. Open the canopy as shown.



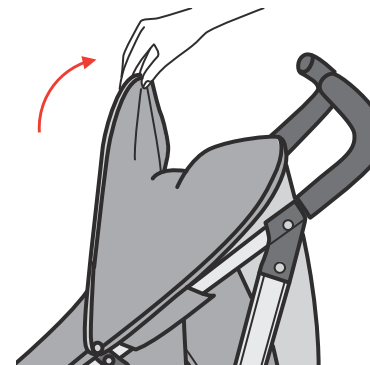
How to Fold Stroller

⚠ WARNING

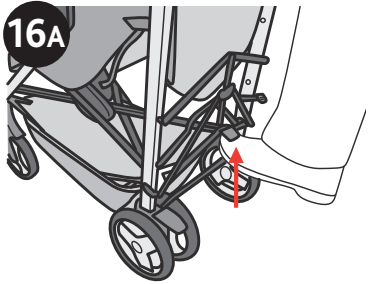
When closing the stroller, ensure that your child, or other children, are kept at a safe distance. Ensure that during these operations the movable parts of the stroller do not come into contact with your child.



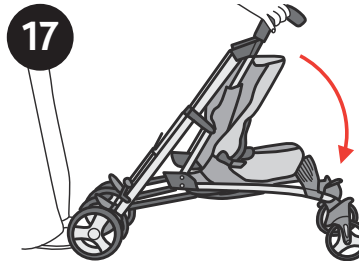
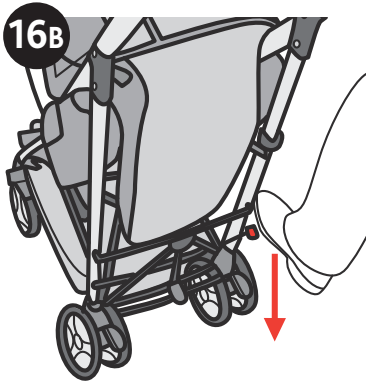
15. If it is open, fold the canopy.



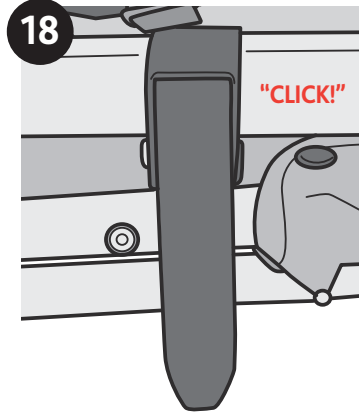
How to Fold Stroller



16. To close the stroller, pull the rear locking mechanism in an upward direction (16A) and use your foot to unlock the pedal on the right side of the stroller (16B).

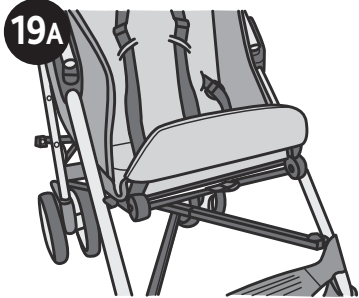


17. To close the stroller completely, push the handles forward.



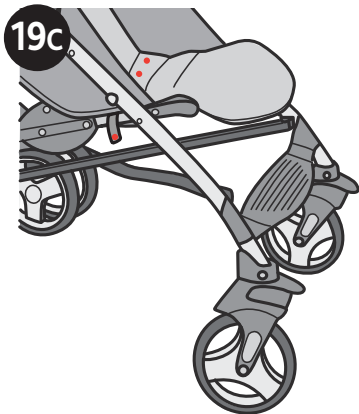
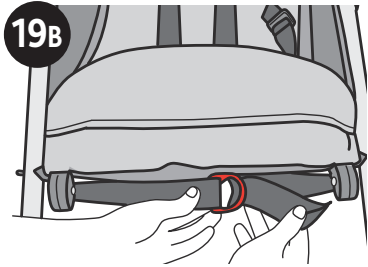
18. When the stroller is closed, the locking device located on the side of the stroller will automatically lock it in the close position, preventing it from accidentally opening.

How to Remove Seat Fabric

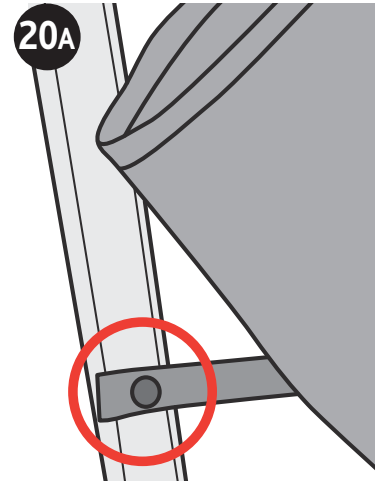


The fabric cover of the stroller can be removed.

19A, 19B & 19C. To remove the fabric cover, raise the leg cover (19A). Unfasten the buckles (19B) and the snaps located on the seat (19C); remove the fabric cover, taking care to slide the safety harness through the appropriate hole.



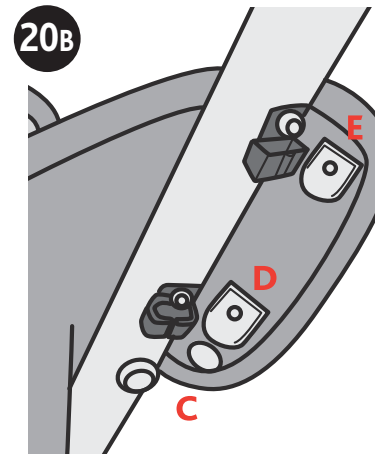
How to Remove Seat Fabric



20A & 20B. Unfasten the snaps located on the rear tubes of the stroller, as shown in (20A).

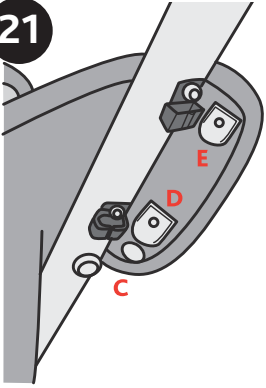
Unfasten snap C and remove the two hooks D and E, located under the fabric panel on the side of the stroller (20B).

Lastly, remove the fabric cover from the backrest, pulling it in an upward direction.



How to Install Seat Fabric

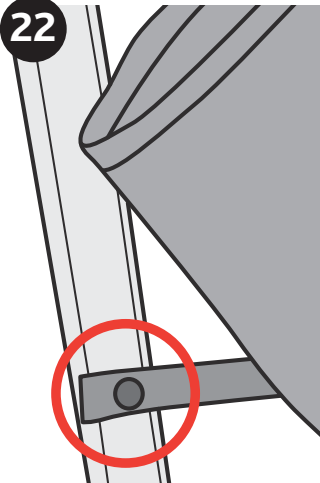
21



To fit the fabric cover to the stroller, carry out the following operations.

21. Fit the fabric cover on the backrest of the stroller.

22

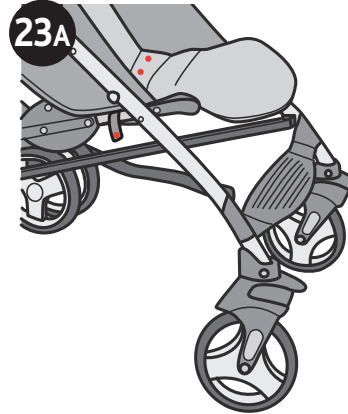


22. Fasten the two hooks, D and E, and snap C, as shown in Step 21.

Fix the two fabric panels to the rear tubes with the snaps.

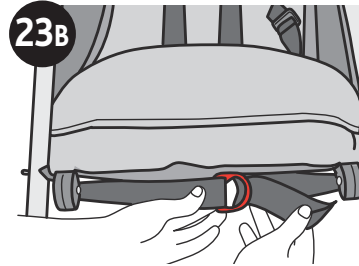
How to Install Seat Fabric

23A



23A, 23B. Fasten the snaps (23A). Fit the fabric cover to the leg rest, then fasten the buckles (23B).

23B

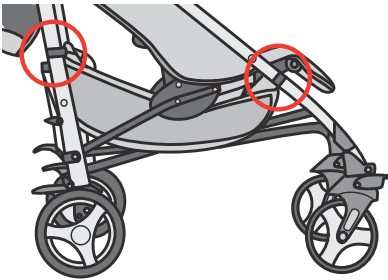


Accessories

⚠️ WARNING

Do not overload the storage basket.
Maximum weight 6.6 lbs (3 kg).

24



STORAGE BASKET

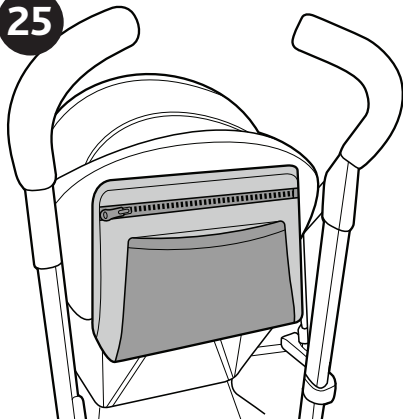
The stroller may come with a storage basket.

24. Fit the storage basket, sliding the straps around the tubes of the stroller and fastening the snaps in the positions shown.

⚠️ WARNING

Do not overload the storage pouch.
Maximum weight 1 lb (0.5 kg).

25



STORAGE POUCH

The stroller may come with a storage pouch.

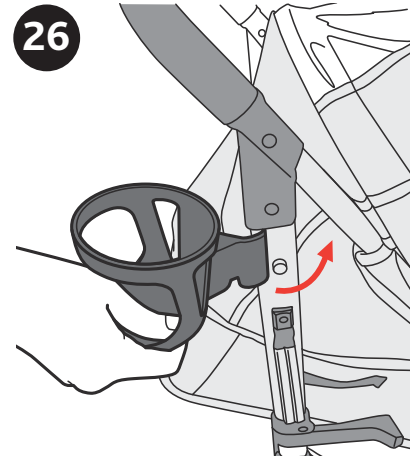
25. The zippered pouch and mesh pocket are located on the back of the stroller.

How to Attach Cupholder

⚠️ WARNING

Never place a container weighing more than
1 lb (0.5 kg) in the cupholder.

26



26. Attach the cupholder to the right leg of the stroller just above the carrying handle.

Insert leg tube into one side of cupholder clip and rotate cupholder until other side of clip secures to frame.

Cleaning and Maintenance

This product requires regular maintenance. The cleaning and maintenance of the stroller must only be carried out by an adult.

CLEANING

The cover can be removed (please refer to the section “How to Remove Seat Fabric”). Remove the board from the seat cover before hand washing. Hand wash removable fabrics in cold water; do not use bleach; drip dry. Attached fabrics may be spot cleaned with a damp cloth.

Periodically wipe clean plastic parts with a soft damp cloth. Always dry the metal parts to prevent the formation of rust if the stroller has come into contact with water.

MAINTENANCE

Lubricate the moving parts only if necessary, with a light application of a silicone based lubricant. Periodically check the condition of the wheels, and keep them clean of dust and sand. To avoid friction that may prevent the correct operation of the stroller, ensure that all the movable plastic parts placed along the metal frame are clean of dust, dirt or sand. Keep the stroller in a dry place. Prolonged exposure to direct sunlight may cause the fabric to fade.

For More Information

If you have any questions or comments about this product, or are missing any of the parts please do not return this product to the store. Contact us in one of the following ways:



(877)-424-4226



info.usa@artsana.com



www.chiccousa.com



1826 William Penn Way
Lancaster, PA 17601

[**Kee-Ko**] If you say it right it makes you *smile*

