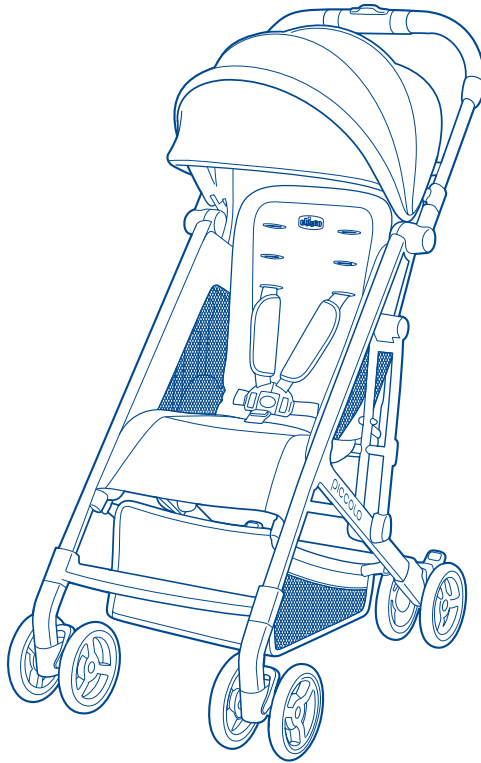




Read all instructions BEFORE
assembly and USE of product.
KEEP INSTRUCTIONS FOR
FUTURE USE.



Piccolo Stroller

Owner's Manual



Failure to follow all warnings and instructions may result in serious injury or death. For your child's safety, read the labels and owner's manual before using the product.

- PLEASE SAVE OWNER'S MANUAL FOR FUTURE USE.
- ADULT ASSEMBLY REQUIRED.
- NEVER LEAVE CHILD UNATTENDED. Always keep child in view while in the stroller.
- AVOID SERIOUS INJURY from falling or sliding out. Always use seat belt. After fastening buckles, adjust belts to get a snug fit around your child.
- AVOID FINGER ENTRAPMENT: Use care when folding and unfolding the stroller. Be certain the stroller is fully opened and latched before allowing your child near the stroller.
- USE OF THE STROLLER with a child weighing more than 50 lbs (22.7 kg), will cause excessive wear and stress on the stroller. Use the stroller with only one child at a time.
- STROLLER TO BE USED only at walking speed. Product not intended for use while jogging, skating, etc.
- TO PREVENT A HAZARDOUS, UNSTABLE CONDITION, never place purses, shopping bags, parcels or accessory items on the canopy or handle. Do not place more than 10 lbs (4.5 kg) in the storage basket.
- DO NOT use storage basket as a child carrier.
- Avoid burns. Never put hot liquids in cup holder. Do not place more than 1 lb (0.5 kg) in cup holder.
- NEVER ALLOW YOUR STROLLER to be used as a toy.
- DISCONTINUE USING YOUR STROLLER should it become damaged or broken.
- AVOID STRANGULATION. DO NOT place items with a string around your child's neck, suspend strings from this product, or attach strings to toys.
- NEVER USE STROLLER ON STAIRS or escalators. You may suddenly lose control of the product and your child may fall out. Also, use extra care when going up or down a step or curb.
- Do not attempt to attach any infant car seat to the stroller. Injury or death may result when attempting to use this stroller in conjunction with an infant car seat.
- Before use, remove and dispose of all plastic bags and packaging materials and keep them out of reach of children.

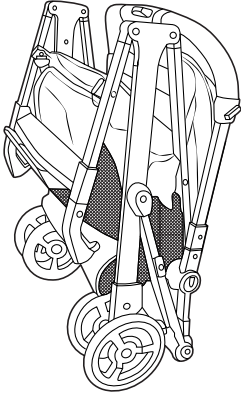


Failure to follow all warnings and instructions may result in serious injury or death. For your child's safety, read the labels and owner's manual before using the product.

- Before assembly, check that the product and all of its components have not been damaged during transportation.
- Do not use accessories, spare parts, or any component not supplied or approved by Chicco as they may make the stroller unsafe.

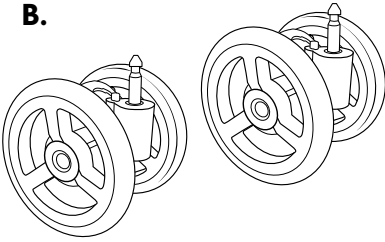
Components

A.



A. - Stroller Frame

B.



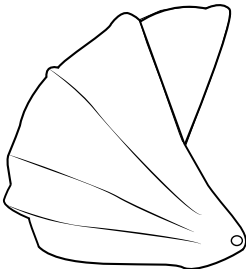
B. - Front Wheels

C.



C. - Cup Holder

D.



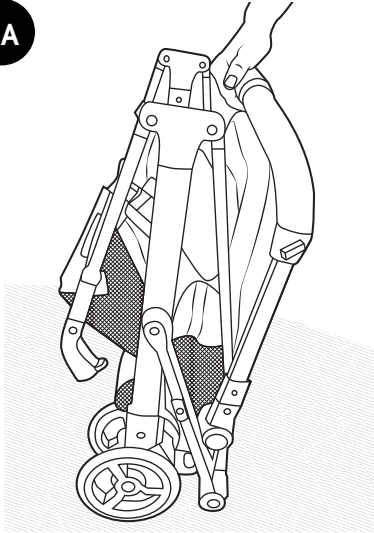
D. - Canopy

How to Assemble Stroller

⚠️ WARNING

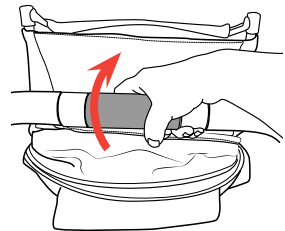
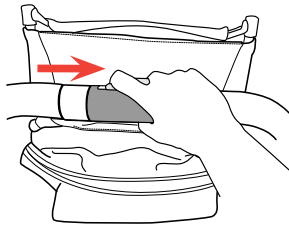
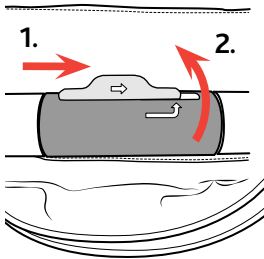
When opening the Stroller, ensure that your child, or other children, are at a safe distance. Ensure that during these operations, the movable parts of the Stroller do not come into contact with your child.

1A



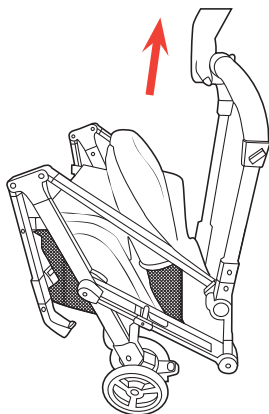
If you have hardwood floors or linoleum you may want to perform this step on carpeting or lay down some protection for your floors.

1A. Stand the Stroller Frame (A) on end, as shown. Locate the fold lock handle grip on the handle. To unfold the stroller, 1) slide the release button to the right 2) and rotate the handle grip forward.

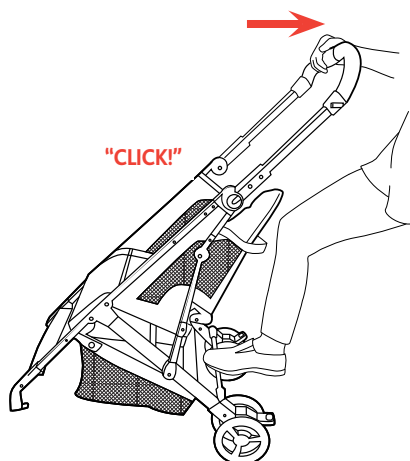


How to Assemble Stroller

1B



1B. At the same time, pull up on the stroller handle. Place your foot on the rear axle and pull back on the Stroller handle until the Stroller Frame clicks into place. Check to ensure that the Stroller Frame is locked in the open position.

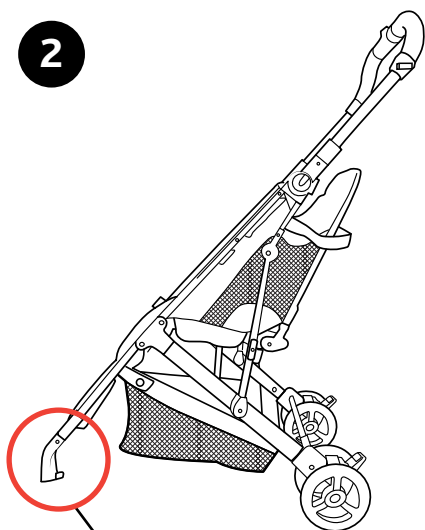


How to Assemble Stroller

⚠️ WARNING

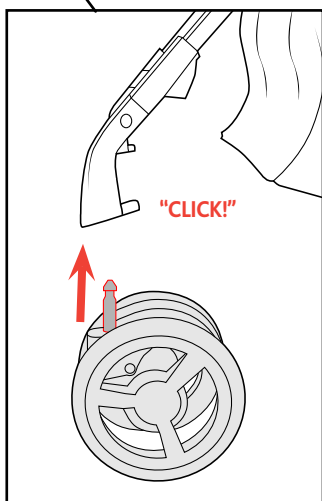
Check that the wheels are fitted correctly.

2



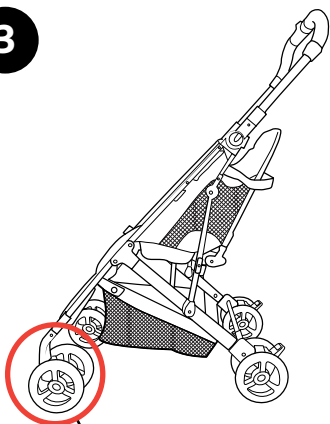
2. Attach the Front Wheel (B) to the Stroller Frame by lining up and inserting the Front Wheel Post into the opening on the frame, as shown. Repeat for the other side.

Make sure both Wheels are secure by pulling down on Wheel assemblies.

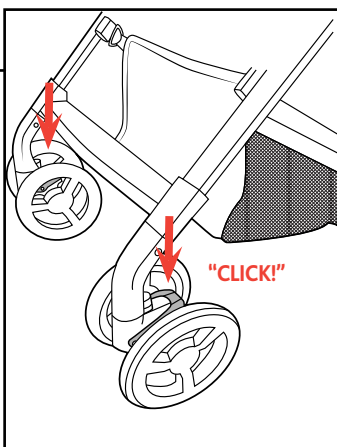
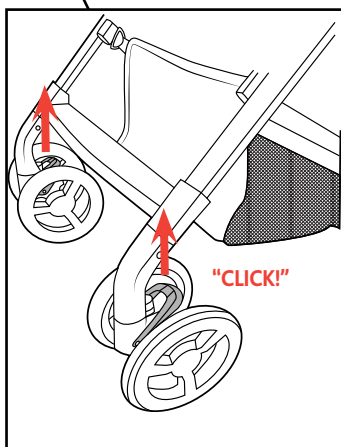


Front Wheel Swivel Lock

3



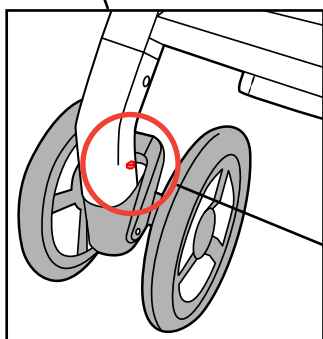
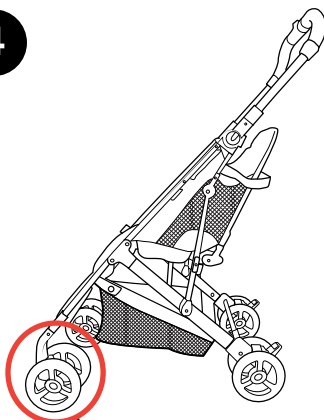
3. To engage the swivel lock, pull up on both wheel levers to lock the wheels in place. To unlock the Front Wheels and allow them to swivel, press down on both wheel levers.



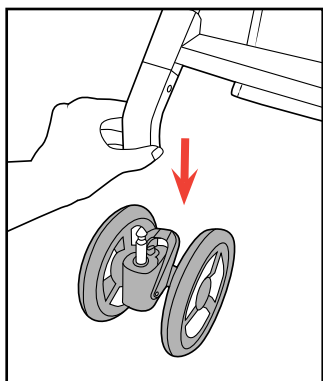
How to Remove Front Wheels

4

4. Remove the Front Wheels by pressing the Release button on the inside of the front wheel, as shown. At the same time, pull the Front Wheel off of the Stroller Frame. Repeat for the other side.

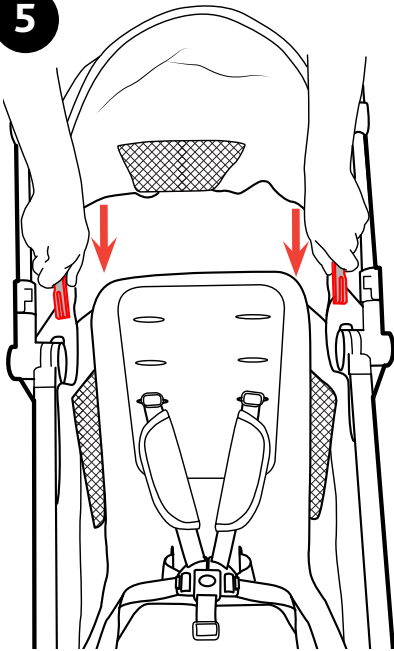


Release Button



How to Attach the Canopy

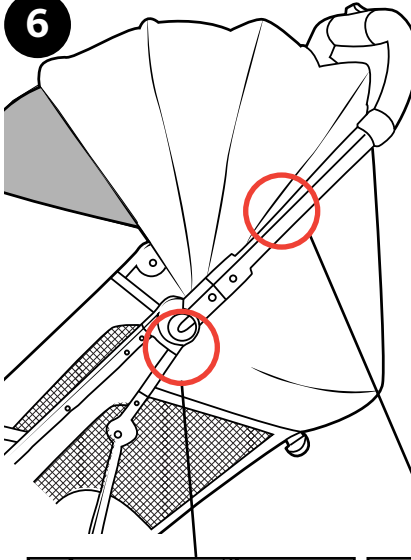
5



5. To attach the canopy (D), insert the canopy frame ends into the canopy mounts, as shown.

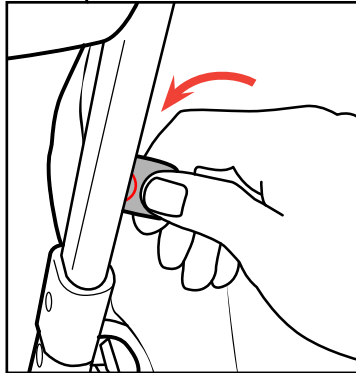
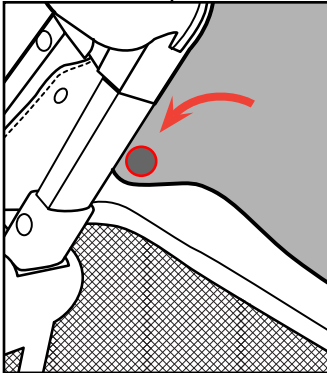
How to Attach the Canopy

6



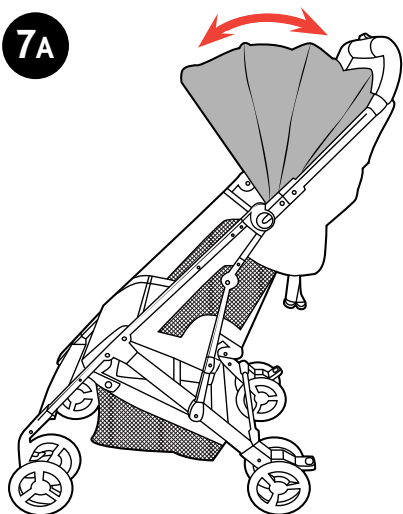
6. Attach 2 snap buttons on the side of the canopy, as shown. Repeat for the other side.

To remove, repeat steps 5 thru 6 in REVERSE.



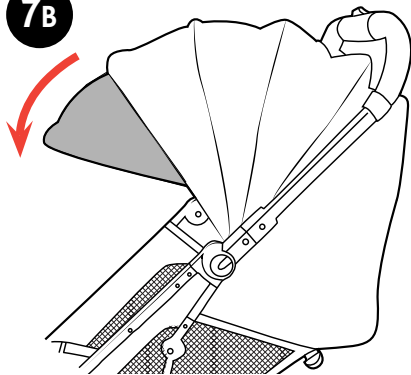
How to Use the Canopy

7A



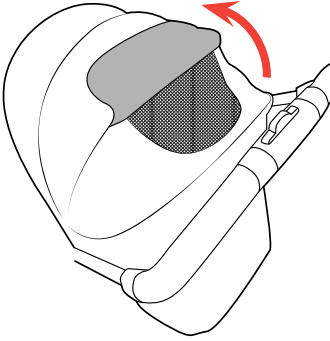
7A. Pull the front edge of the Canopy forward to open the Canopy. Reverse this step to close the Canopy. For extra coverage, extend the Canopy extension (7B).

7B

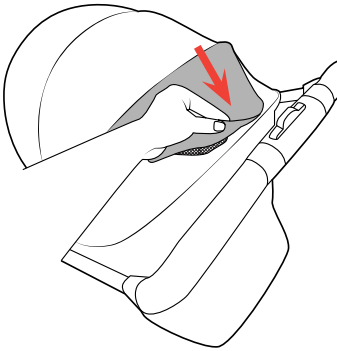


How to Use the Canopy

8

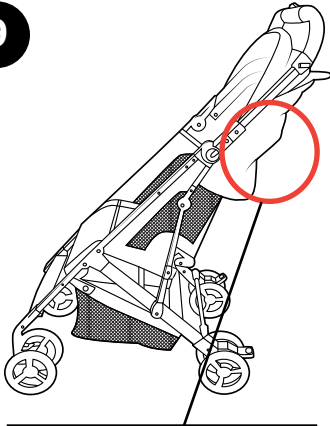


8. To open the Canopy window, lift up on the flap on the top of the Canopy. To close the Canopy window attach the magnet inside the fabric flap to the magnet on the back of the Canopy, as shown.

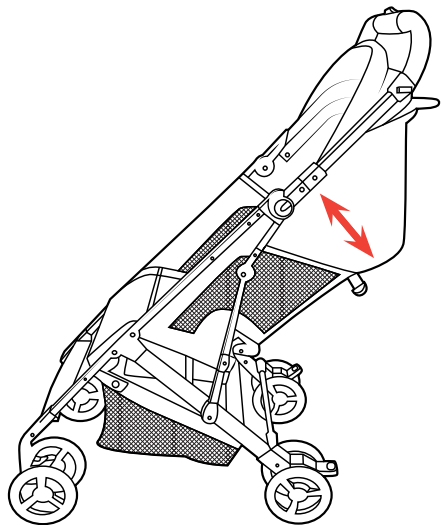
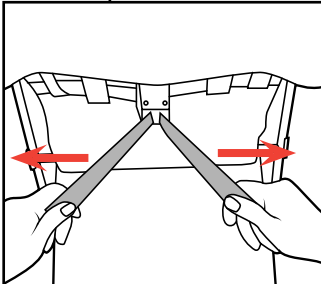
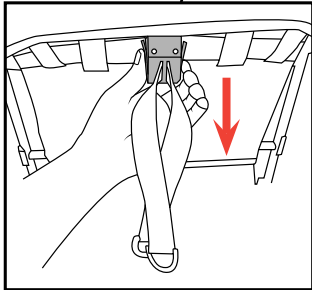


How to Recline the Seat

9

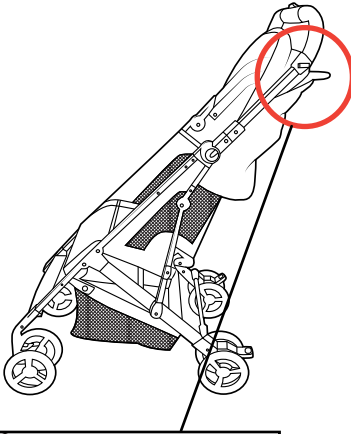


9. To Recline the Backrest, squeeze both buttons on Recline Adjuster and pull down until you reach the desired position. To adjust the Backrest into an upright position, pull out on both recline straps.



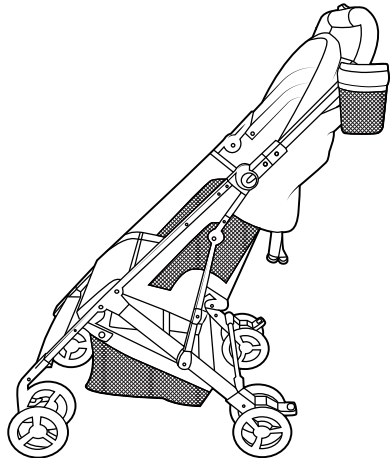
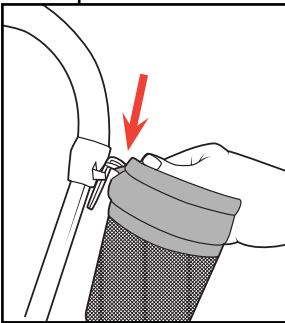
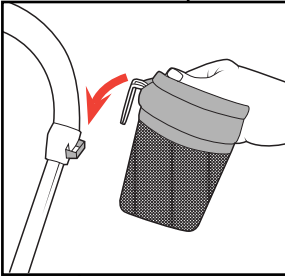
How to Attach Cup Holder

10



10. To attached the Cup Holder (C), locate the cup holder attachment on the Stroller Frame. Insert the Cup Holder wire hook into the cup holder attachment, as shown.

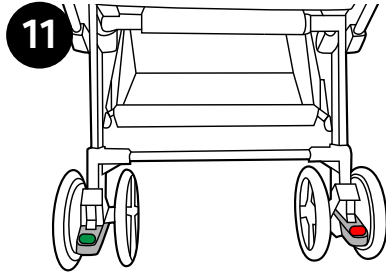
Press down on the wire hook to make sure the Cup Holder is fully seated into the cup holder attachment. Reverse this step to remove the Cup Holder.



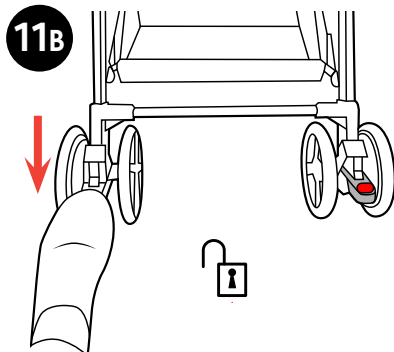
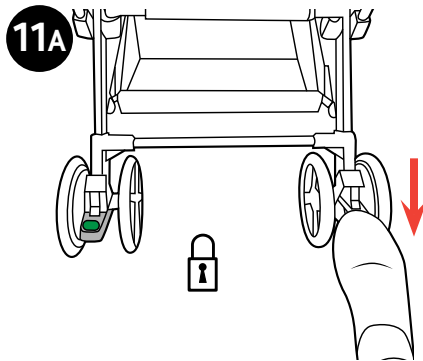
How to Use the Brakes

⚠️ WARNING

Always apply brakes whenever the stroller is stationary. Never leave the stroller on a sloped surface, with a child onboard, even with the brakes applied.



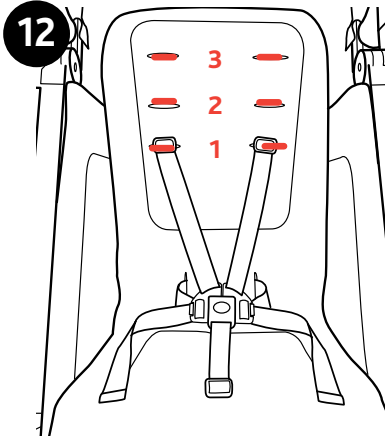
11. To engage the Stroller brakes, push down on the **RED** brake lever (11A) to lock the Rear Wheels. Pull back and forth to make sure that the brake is engaged. To unlock the Stroller, push down on the **GREEN** brake lever (11B) to unlock the Rear Wheels.



How to Use Safety Harness

⚠️ WARNING

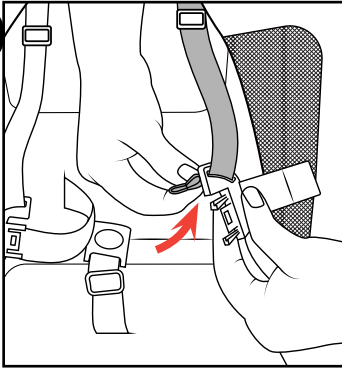
This stroller features three harness positions. Always use a harness position located ABOVE the child's shoulder line. If multiple harness positions are above the child's shoulder line, use the one closest to it.



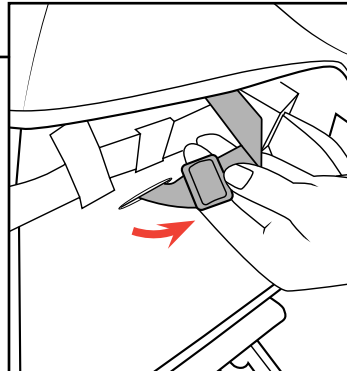
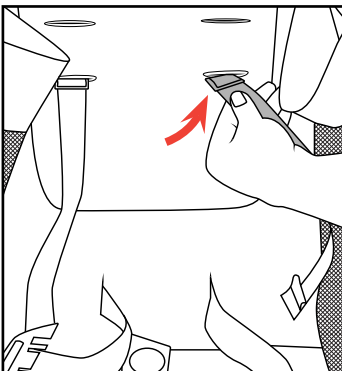
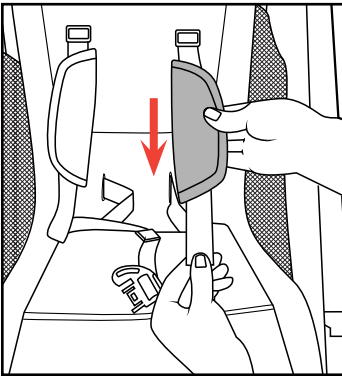
12. The Shoulder Straps can be adjusted to 3 height positions as shown.

How to Use Safety Harness

13A

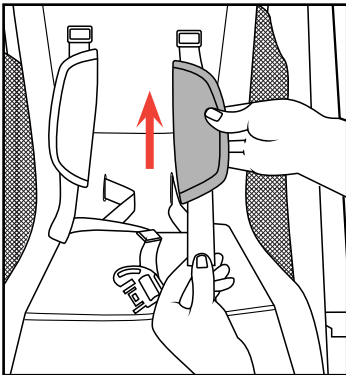
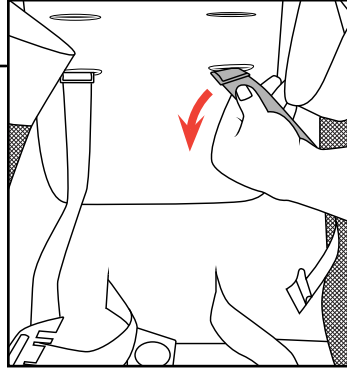
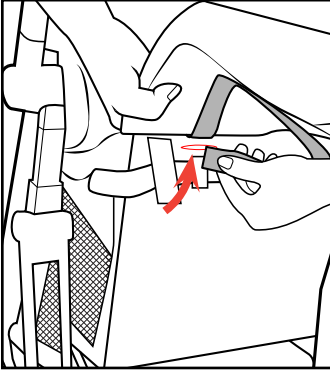


13A. To adjust the Shoulder Strap, slide the end of the strap through harness clip, remove the shoulder pad, and thread the strap through the opening on the seat back.

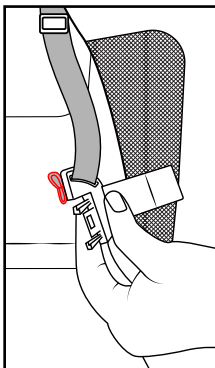
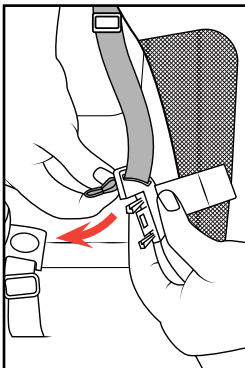


How to Use Safety Harness

13B

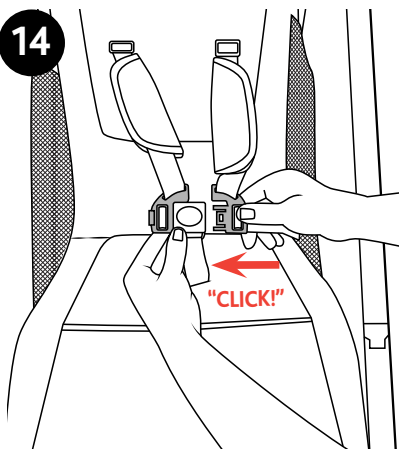


13B. Re-insert the Shoulder Strap into the correct opening on the seat back, and pull it through. Make sure the strap is not twisted. Re-attach the shoulder pad and thread the strap into the harness clip. Flatten the fabric tab against the harness clip. Pull on the shoulder strap to make sure it is securely attached to the harness clip. Repeat step 13 for the other side. Always use the same opening position for both shoulder straps.



How to Use Safety Harness

14



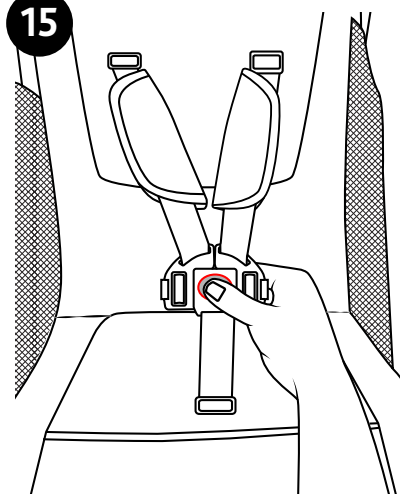
14. To secure your child, guide the child's arm through the waist belt and shoulder strap. Insert the waist belt clip into the crotch strap buckle. Repeat for the other side. Pull on both sides to make sure the Clips are secured to the Buckle.

How to Use Safety Harness

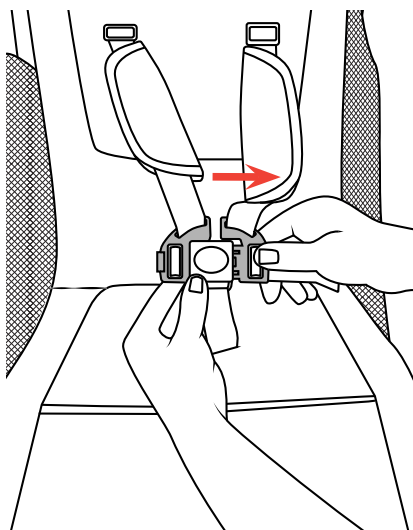
⚠ WARNING

Never leave child unattended. Avoid serious injury from falling or sliding out. Always use seat belt.

15

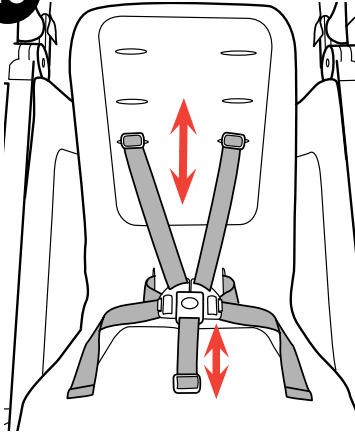


15. Unbuckle Safety Harness by pressing the button on the center of the crotch strap buckle. Pull out both waist belt clips.



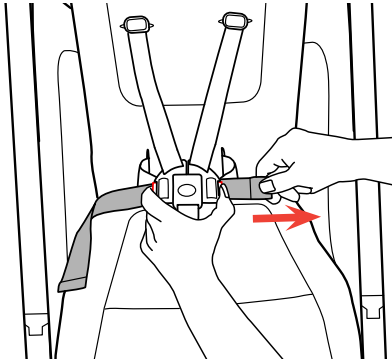
How to Use Safety Harness

16



16. The length of the Shoulder Straps and Crotch Strap can be adjusted by pulling on the adjustment buckles to tighten or loosen.

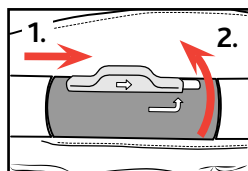
The length of the waist straps can be adjusted. Press the tab at the end of the Waist Strap Clip and pull on the strap to tighten or loosen, to better fit your child.



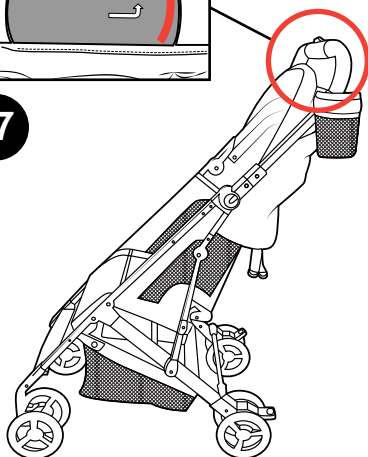
How to Fold Stroller

⚠WARNING

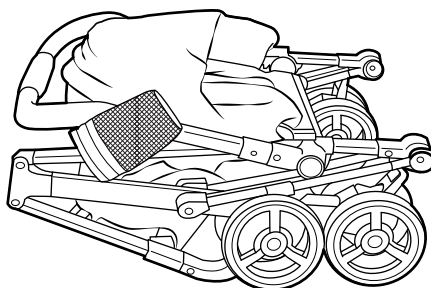
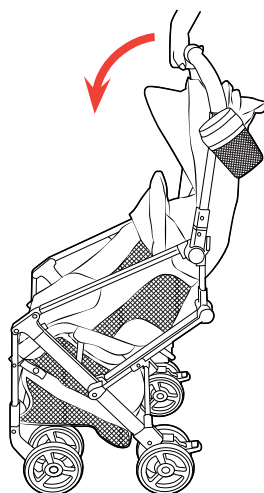
When folding the Stroller, make sure that your child and other children are at a safe distance. Ensure that during the operations, the movable parts of the Stroller do not come in contact with your child.



17



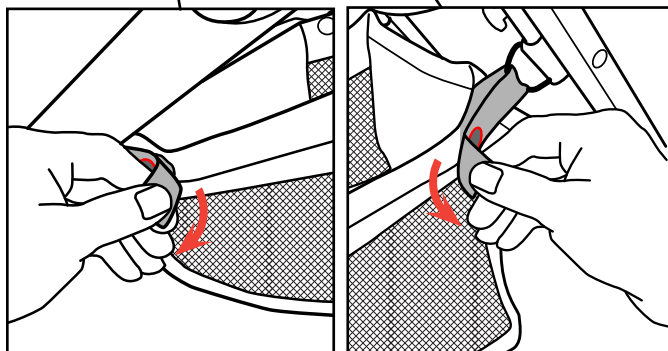
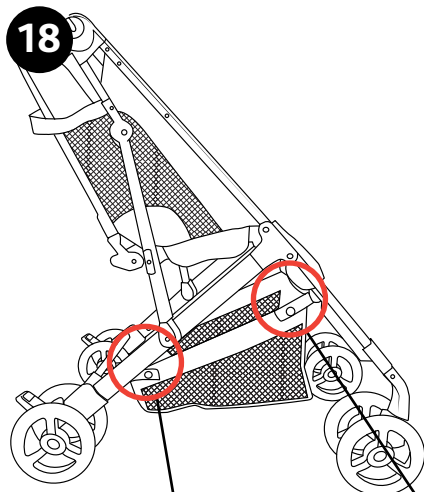
17. To fold the stroller, 1) slide the release button to the right. 2) Rotate the handle grip forward, at the same time push forward on the stroller handle.



How to Remove Basket

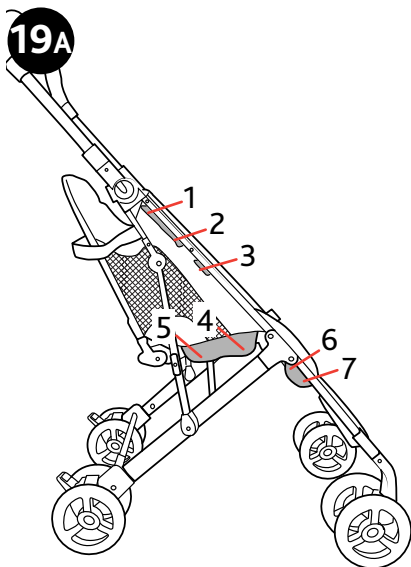
18

18. To remove the Basket, undo both snap buttons, as shown. Repeat for the other side, and remove. Reverse this step to re-attach the basket.



How to Remove Seat Fabric

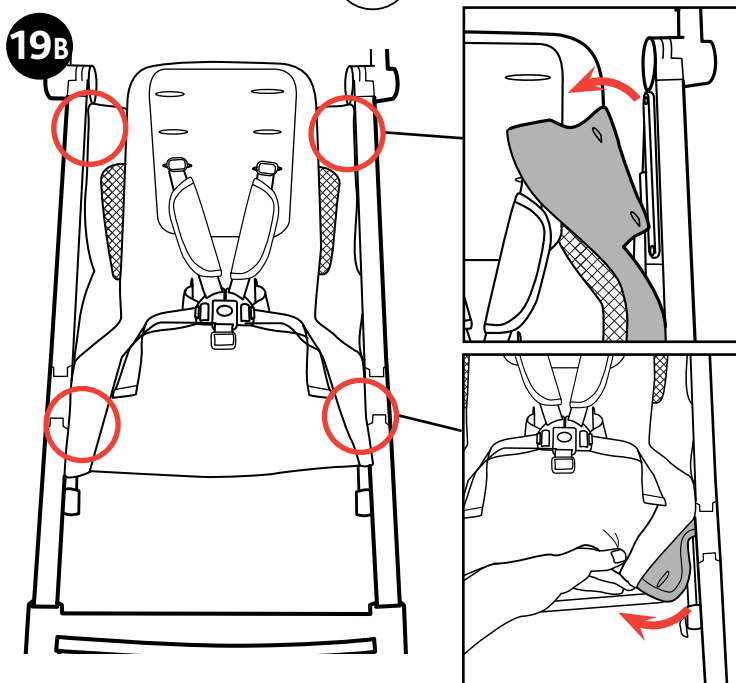
19A



19A. To remove the Seat Fabric, release 7 button holes on one side of the Stroller Frame, as shown. Repeat for the other side.

19B. Pull the fabric from the brackets on both sides of the seat, as shown.

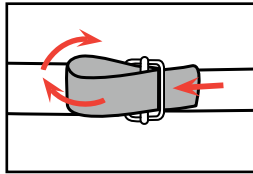
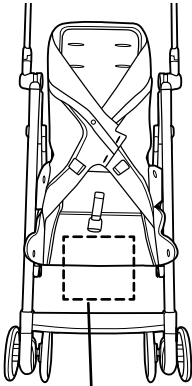
19B



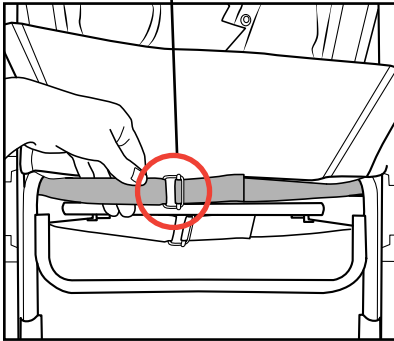
How to Remove Seat Fabric

20

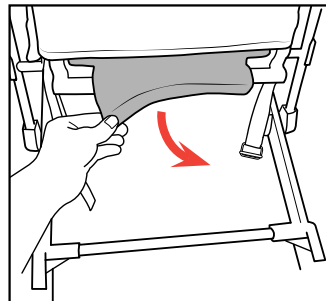
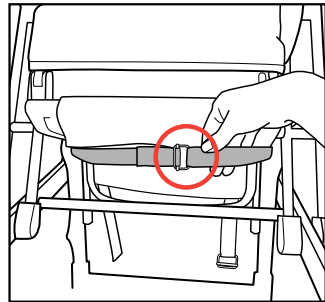
20. Undo 2 D-ring straps on the FRONT and BACK of the Stroller, as shown. Then locate and undo the hook and loop tab at the BACK of the stroller.



Front View

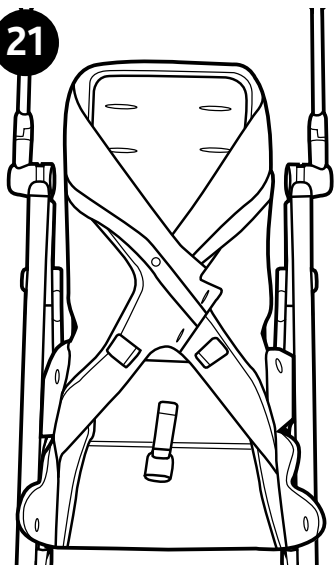


Back View



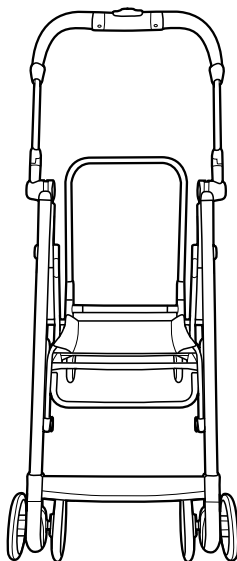
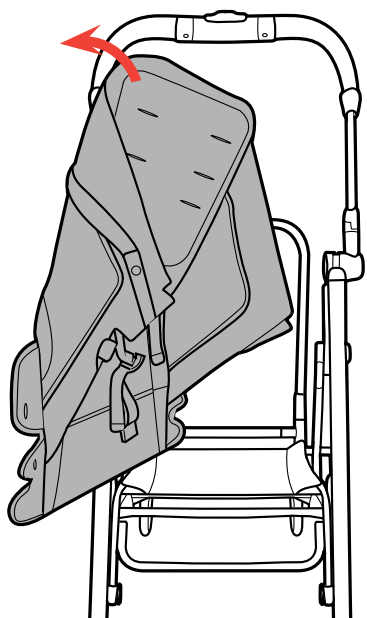
How to Remove Seat Fabric

21



21. Unbuckle the harness straps and thread the shoulder straps through the back rest (refer to step 11). Pull up on the corner of the seat back and remove the seat fabric from the stroller frame, as shown.

To re-attach the seat repeat steps 19 thru 21 in REVERSE.



Cleaning and Maintenance

This product requires regular maintenance. The cleaning and maintenance of the stroller must only be carried out by an adult.

CLEANING

Clean the seat fabric and canopy by hand with a sponge or soft cloth using warm water and mild soap. Pat dry with a clean, dry towel. Allow to air dry.

Periodically wipe clean plastic parts with a soft damp cloth. Always dry the metal parts to prevent the formation of rust if the stroller has come into contact with water.

MAINTENANCE

Lubricate the moving parts only if necessary, with a light application of a silicone based lubricant. Periodically check the condition of the wheels, and keep them clean of dust and sand. To avoid friction that may prevent the correct operation of the stroller, ensure that all the movable plastic parts placed along the metal frame are clean of dust, dirt or sand. Keep the stroller in a dry place. Prolonged exposure to direct sunlight may cause the fabric to fade.

For More Information

If you have any questions or comments about this product, or are missing any of the parts please do not return this product to the store. Contact us in one of the following ways:



(877)-424-4226



info.usa@artsana.com



www.chiccousa.com



1826 William Penn Way
Lancaster, PA 17601



www.chiccousa.com