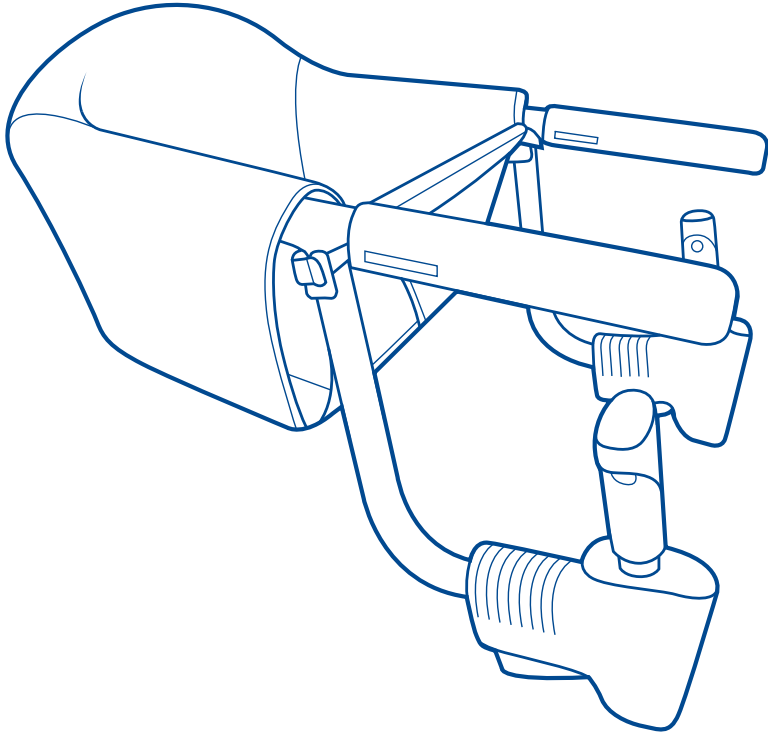




Read all instructions BEFORE
assembly and USE of product.
**KEEP INSTRUCTIONS FOR
FUTURE USE.**



FastLock™

Hook-On Chair

Owner's Manual

⚠️ WARNING

Failure to follow all warnings and instructions could result in serious injury or death.

Fall Hazard. To prevent falls:

- **ALWAYS** use restraints. Adjust to fit snugly.
- Keep child in view.
- To prevent tip over, check stability of table before and after seating child.
- **NEVER** use with:
 - glass table top
 - loose table top
 - single pedestal table
 - card table
 - table leaf
 - table cloths or placemats
- Child can use nearby structures to kick or push chair off.
NEVER use hook-on chair:
 - with ordinary chair underneath
 - in reach of table legs
 - near island below countertop

Use only for:

- child who can sit upright without help.
- child up to 37 pounds (16.8 kg).
- tables 3/4 to 1 1/2 in. thick (19 to 38 mm).

⚠️ WARNING

Additional Warnings:

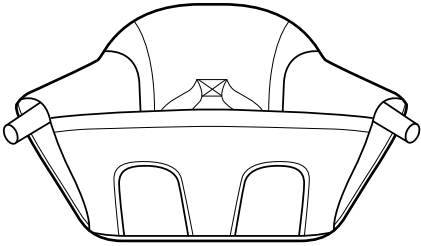
- Discontinue use if child, when seated in hook-on chair, is able to move the hook-on chair arms on the table top.
- Before removing child from hook-on chair, be sure child's legs are free from hook-on chair lower arms.
- Discontinue use if hook-on chair is broken or missing any components. Contact Chicco immediately for replacement parts or service.
- Do not use without all rubber on the arms attached securely to table surface.
- Keep table and seat clean and dry to prevent slipping.
- Do not allow other children to play near or walk under hook-on chair while in use.

Your child's safety is very important to us, so we urge you to take the following precautions when using this product:

- Do not use replacement parts other than those approved by Chicco.
- Frequently check the arm clamps and tighten them if required.
- Do not attach objects to the hook-on chair, since they might affect the stability and safety of the product.
- Do not fit or lock the hook-on chair to a table with the child sitting in the hook-on chair.
- Do not seat more than one child at a time in the hook-on chair.
- Do not attach the hook-on chair to drawers or movable parts of tables.
- Before use, remove and dispose of all plastic bags and packaging materials and keep them out of reach of children.
- Keep hot liquids/foods away from table while child is in hook-on chair.

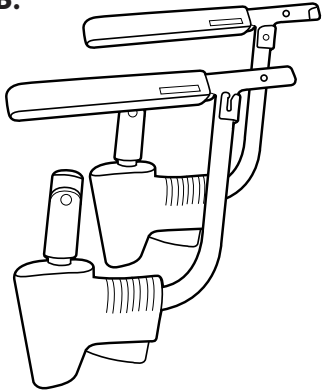
Components

A.



A. - Hook-On Chair Seat and Frame Tube

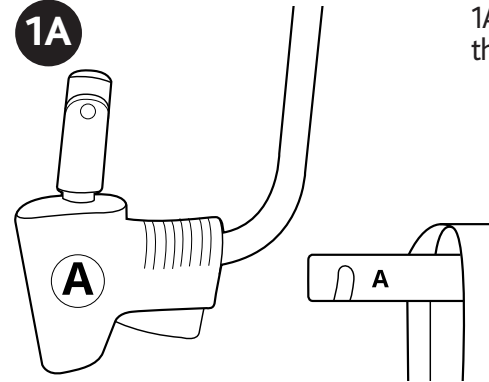
B.



B. - Arms

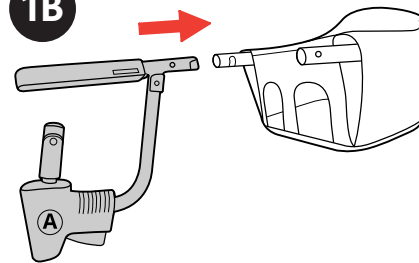
How to Assemble the Hook-On Chair

1A



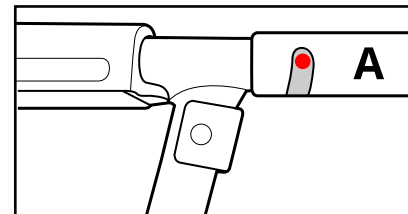
1A. Match up the Arms 'A' and 'B' with the letters on the Chair Frame.

1B

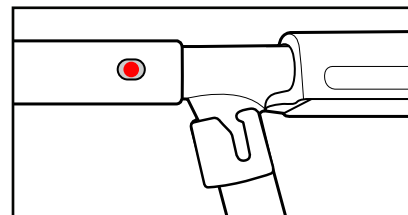


1B. Press in the Snap Buttons on both sides of the Arm and insert it into the Chair Frame making sure the Snap Buttons are secured in the cutouts.

Repeat for the other side.



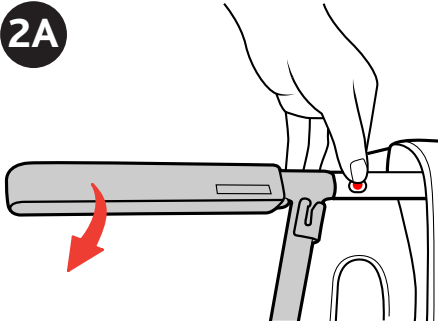
Inside of Arm A



Outside of Arm A

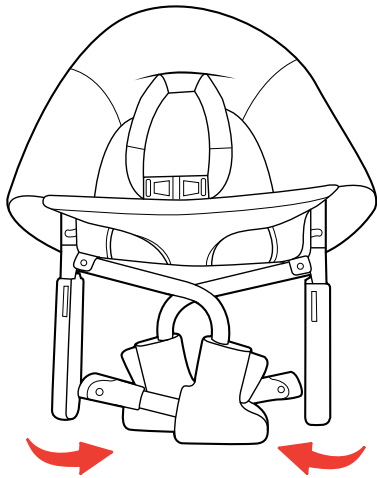
How to Assemble the Hook-On Chair

2A



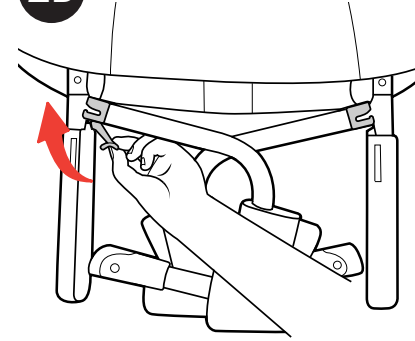
2A. Press in on the 'RELEASE' Snap Button on the outside of Arm and rotate the Arm in.

Repeat for the other side.



How to Assemble the Hook-On Chair

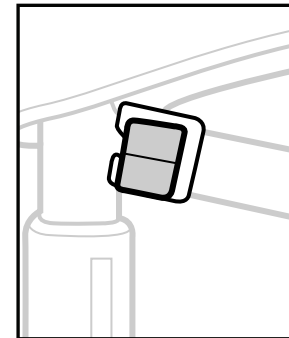
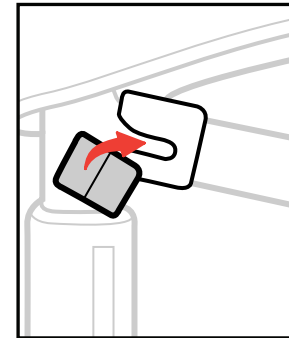
2B



2B. Flip the Hook-On Chair upside down.

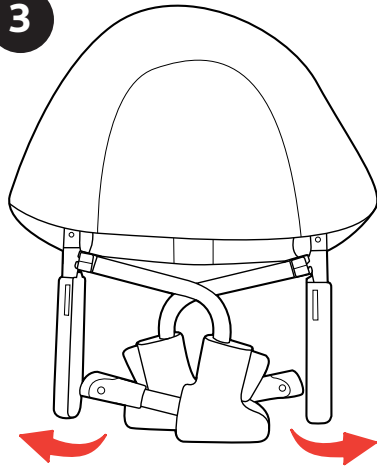
Wrap the fabric strap located on the front of the Seat around the underside of the Arm and slide it into the slot to secure, as shown.

Repeat for the other side.



How to Assemble the Hook-On Chair

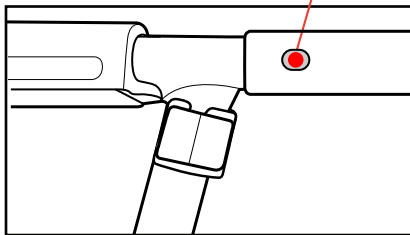
3



3. Rotate the Arms out and flip the Hook-On Chair over.

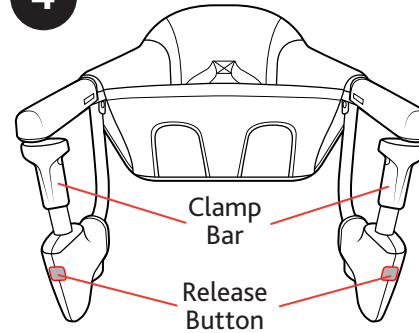
Make sure the Arms are back in the 'LOCKED' position.

LOCKED
Position



How to Attach the Hook-On Chair

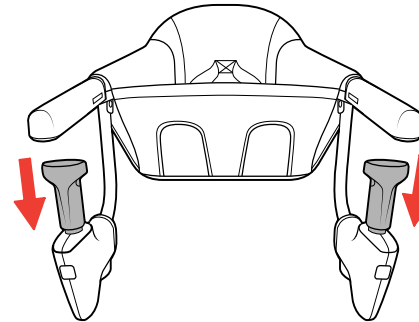
4



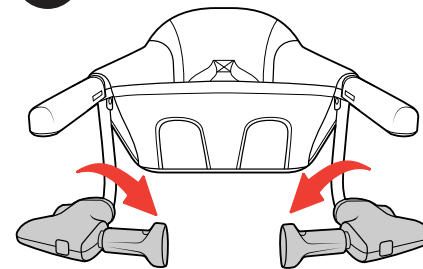
4. If the Clamp Bar is up, it must be lowered all the way before you can attach the Hook-On Chair to the table.

To lower the Clamp Bar, push in on the release button on the front of the Arm.

The Clamp Bar may need to be pushed down while pressing the release button.



5

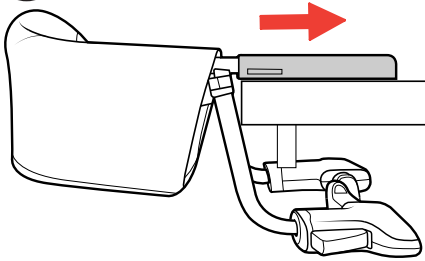


5. The Locking Clamps must be rotated inward before you attach Hook-On Chair to the table.

Twist the Locking Clamps in, as shown.

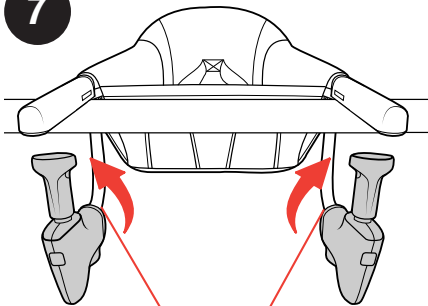
How to Attach the Hook-On Chair

6



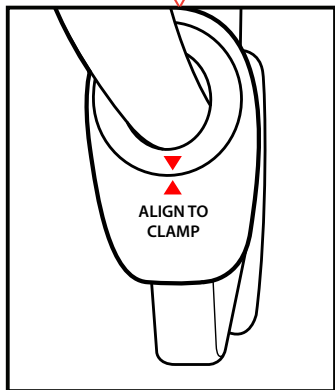
6. Slide the Hook-On Chair onto the table top. Make sure the Upper Arm Grips are completely on top of the table and the Lower Locking Arms are folded downwards and below the table top.

7



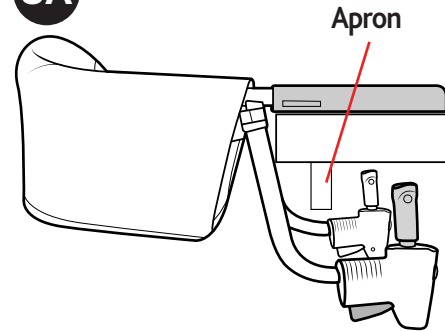
7. Rotate both Locking Clamps up until they click into an upright position. Check to make sure both Locking Clamps are fully rotated up.

Make sure the alignment arrows are matching up on the Lower Locking Arms.



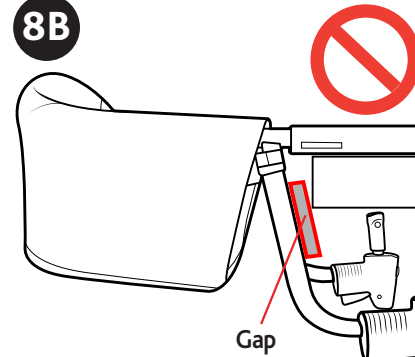
How to Attach the Hook-On Chair

8A



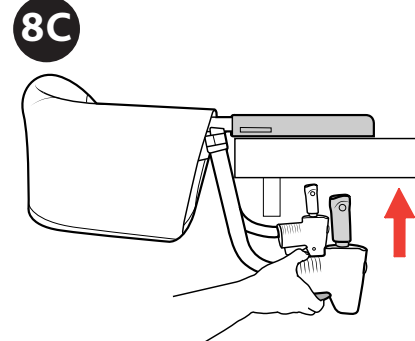
8A. If the underside of your table has an apron, make sure the Lower Locking Arms are completely past it before securing.

8B



8B. Check to make sure there is not a gap between the Arms and the edge of the table.

8C



8C. To secure the Hook-On Chair to the table, squeeze the ratchet button until the clamp bar meets the underside of the table. Repeat for the other side. Check to make sure that the arms on the table top are flat and that the Hook-On Chair is secure.

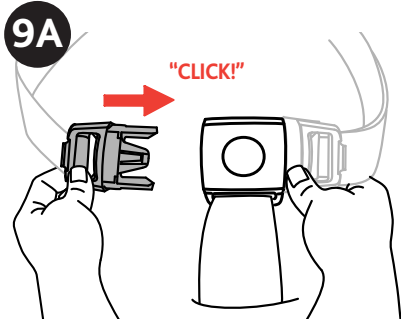
⚠ WARNING

Pull/Push on hook-on chair to make sure it is firmly attached to table.

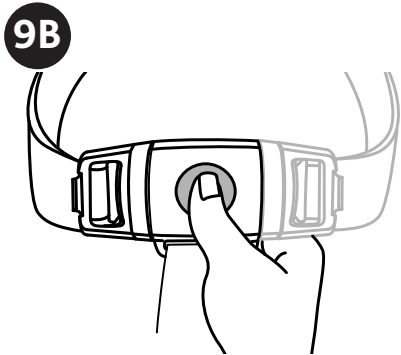
How to Use the Safety Harness

⚠️ WARNING

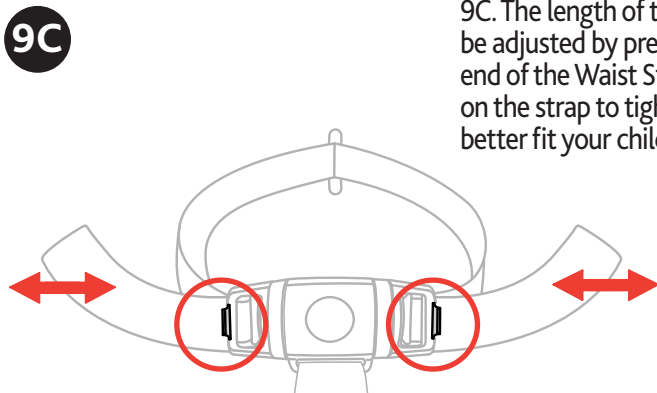
Always secure child in the restraint. Never leave child unattended in hook-on chair. Always keep child in view.



9A. Slide both Waist Clips into the Crotch Strap Buckle as shown. Pull on both sides to make sure the Clips are secured to the Buckle.

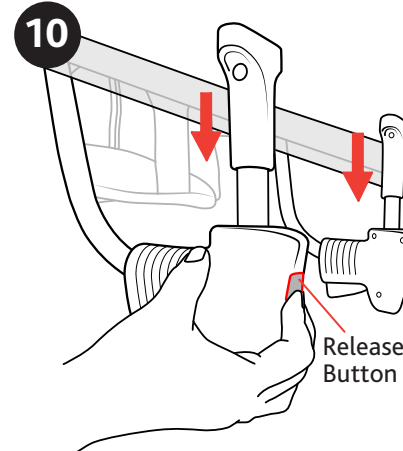


9B. The safety harness can be released by pressing the button on the center of the Crotch Strap Buckle and pulling both Waist Clips out.



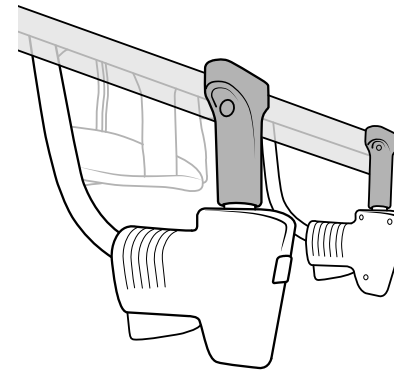
9C. The length of the Waist Straps can be adjusted by pressing the tab at the end of the Waist Strap Clip and pulling on the strap to tighten or loosen to better fit your child.

How to Remove the Hook-On Chair



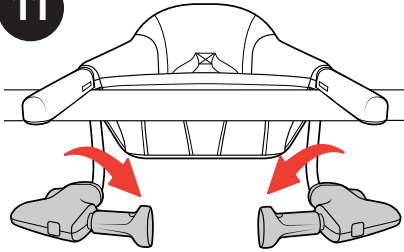
10. Push in on the release buttons on the front of the Lower Locking Arms to unlock the Clamp Bars, as shown.

Tip: If the release button is hard to push, lightly squeeze the ratchet button and press the release button at the same time.

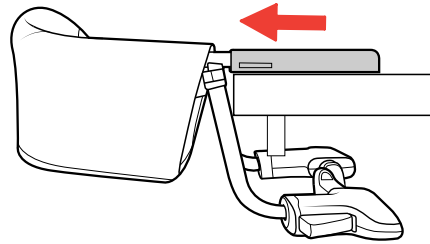


How to Remove the Hook-On Chair

11

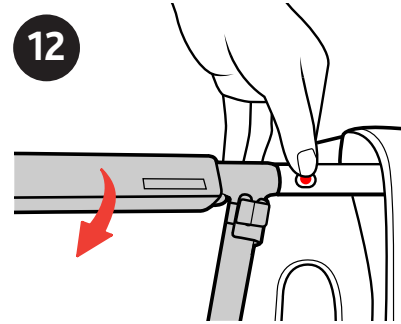


11. Rotate the Locking Clamps down and slide the Hook-On Chair off of the table top.



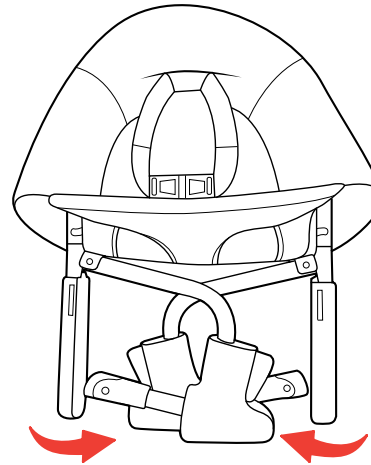
Folding for Storage

12



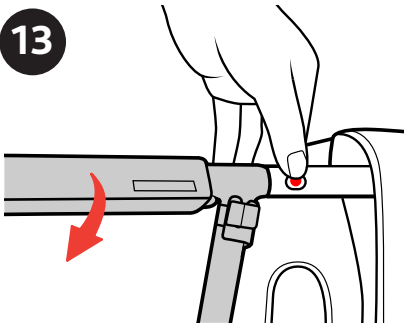
12. Press in on the 'RELEASE' Snap Button on the outside of Arm and rotate the Arm in.

Repeat for the other side.



How to Remove the Seat Fabric

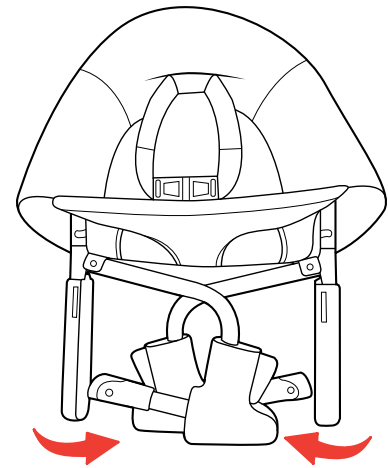
13



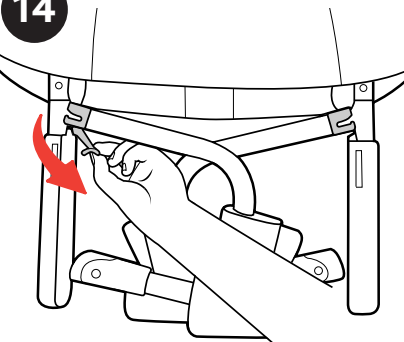
The fabric seat cover on the Hook-On Chair can be removed for cleaning.

13. Press in on the 'RELEASE' Snap Button on the outside of Arm and rotate the Arm in.

Repeat for the other side.



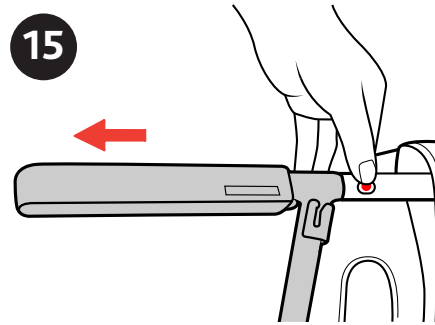
14



14. Flip the Hook-On Chair upside down and unhook both fabric straps from either Arm.

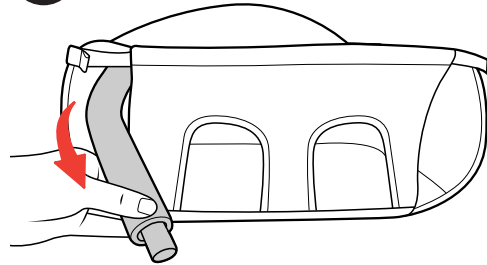
How to Remove the Seat Fabric

15



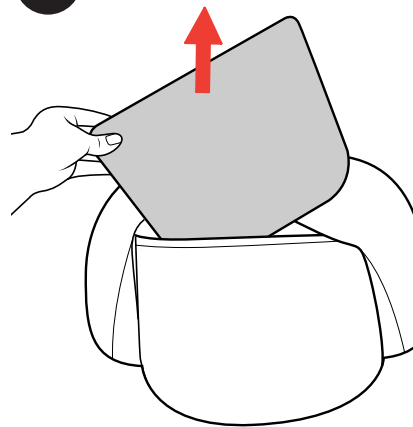
15. Press in on **BOTH** Snap Buttons and pull the Arms out to remove from the frame.

16



16. Pull the seat frame tube out of the fabric, as shown.

17



17. Locate the seat board inside the seat bottom pocket. Unbuckle the safety harness and lift up on the back edge of the seat fabric and pull out the seat board.

To replace the fabric seat cover, follow steps 13 thru 17 in reverse.

Note: When replacing the seat board back into the pocket, make sure the rounded edges of the board are aligned with the rounded edges of the seat pocket.

Cleaning and Maintenance

The cleaning and maintenance of the Hook-On Chair must only be carried out by an adult.

CLEANING

The fabric seat can be removed (please refer to the section "How to Remove the Seat Fabric"). Please refer to the care label on the fabric seat for instructions on how to clean.

It is recommended to periodically clean between the movable and fixed plastic parts of the seat with a toothbrush to remove any possible food residues. Always dry the metal parts to prevent the formation of rust.

Plastic can be cleaned with mild detergent and warm water, no bleach or harsh cleaners/abrasives.

MAINTENANCE

This product requires regular maintenance. Periodically check the Hook-On Chair for wear, damage, or missing components. Should any parts be missing or damaged, the Hook-On Chair must not, under any circumstances, be used.

For More Information

If you have any questions or comments about this product, or are missing any of the parts, please contact us in one of the following ways:



(877)-424-4226



info.usa@artsana.com



www.chiccousa.com



1826 William Penn Way
Lancaster, PA 17601



www.chiccousa.com