



Read all instructions **BEFORE** assembly and **USE** of product.

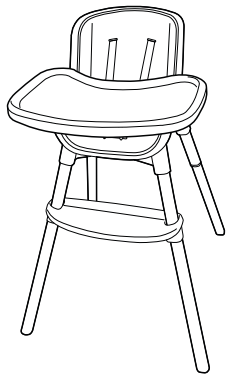
KEEP INSTRUCTIONS FOR FUTURE USE.

ZEST™ LE

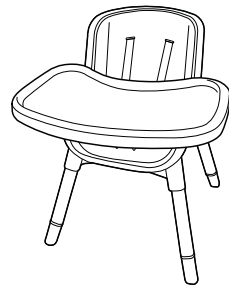
4-in-1 Multi-Use High Chair

⚠ WARNING Failure to follow the warnings and the instructions throughout this booklet could result in serious injury or death. Each mode has specific warnings, make sure to read and understand the warnings in each mode.

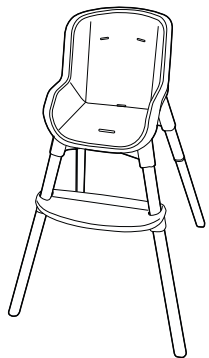
This product can be used in the following modes:



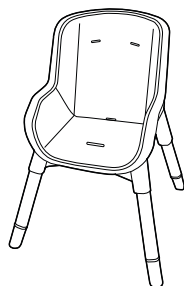
HIGH CHAIR



FEEDING CHAIR

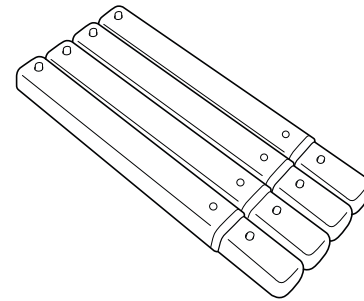


YOUTH STOOL

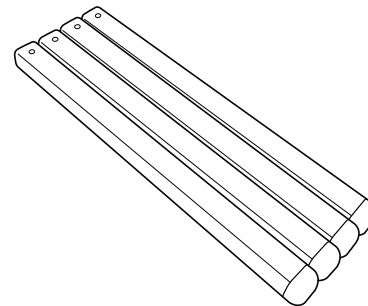


TODDLER CHAIR

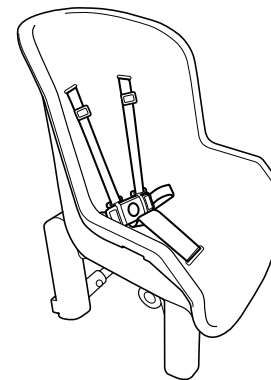
Parts List



A. Leg - Top x4

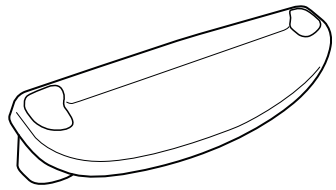


B. Leg - Bottom x4

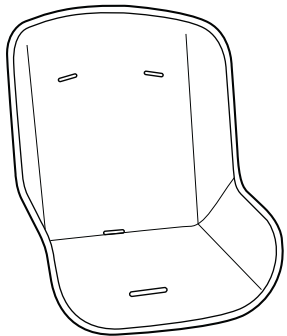


C. Seat

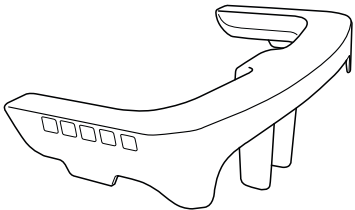
Parts List



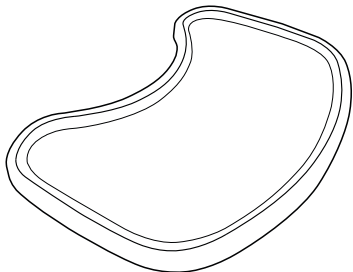
D. Footrest



E. Seat Pad



F. T-Bar

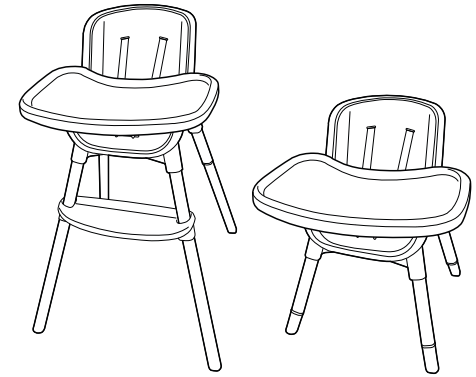


G. Tray

WARNING

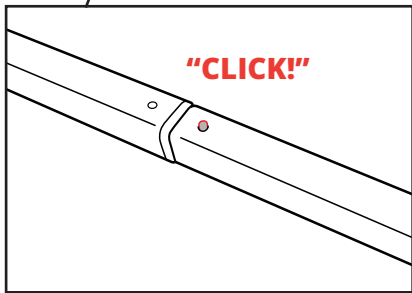
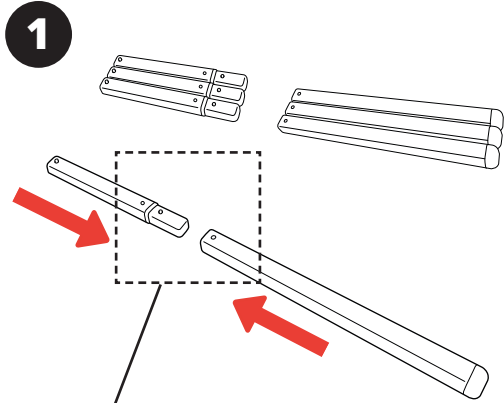
HIGH CHAIR USE

- **FALL HAZARD:** Children have suffered severe head injuries including skull fractures when falling from high chairs. Falls can happen suddenly if child is not restrained properly.
- Always use restraints, and adjust to fit snugly.
- Tray is not designed to hold child in chair.
- Stay near and watch child during use.
- Never leave child unattended.
- The child should be secured in the high chair at all times by the restraint system.
- It is recommended that the high chair be used only by children capable of sitting upright unassisted.
- Always place the high chair on a horizontal, stable surface. Do not move chair with child in it.
- In High Chair mode, the high chair is recommended for children who can sit upright unassisted OR weigh over 20 lbs (9 kg) and are not more than 36 months old or 40 lbs (18 kg).



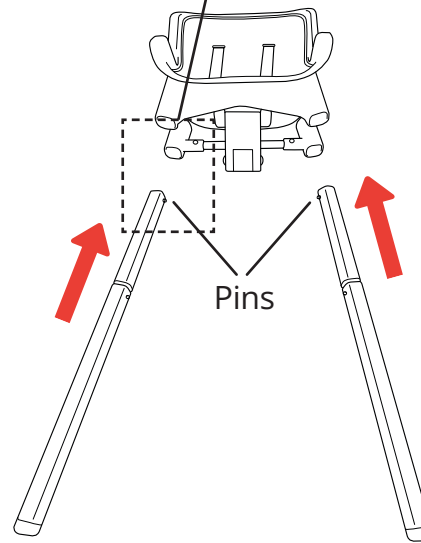
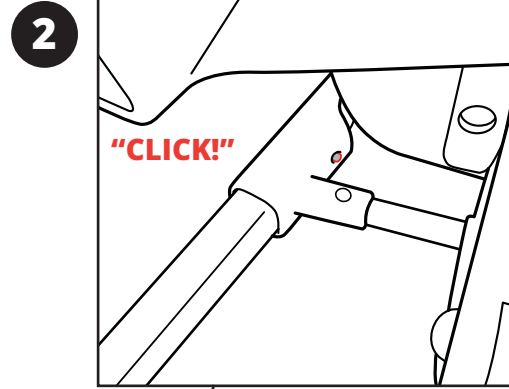
- When using the high chair, do not place your child near objects that he or she can push against to overturn the high chair.
- Do not use the product if any part is broken, torn, or missing.
- Ensure that all components are correctly fitted and adjusted before use.
- To avoid the danger of suffocation, remove all plastic covers before using the product.
- Do not leave the product near walls, curtains, or windows, where the child can become entangled.
- Do not attach any parts to the product that are not supplied or expressly approved by Chicco.

HIGH CHAIR Mode



1. Attach 4 Leg - Top (A) sections to 4 Leg - Bottom (B) sections. Both Leg sections are securely attached when the pins on the Legs are engaged (as shown).

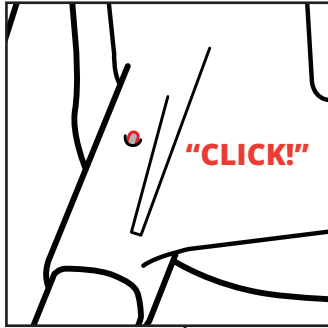
Assembly



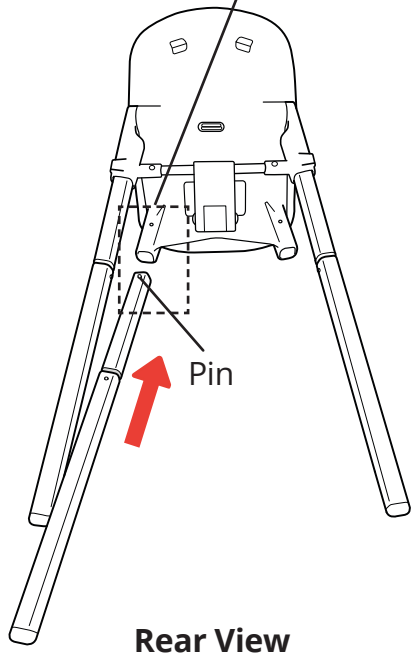
2. Attach 2 Legs to the rear attachment openings on the High Chair Seat (C). Push in on the Pins and slide the Legs into the High Chair Seat, as shown. The Legs are securely attached when the pins on the Legs are engaged.

Assembly

3

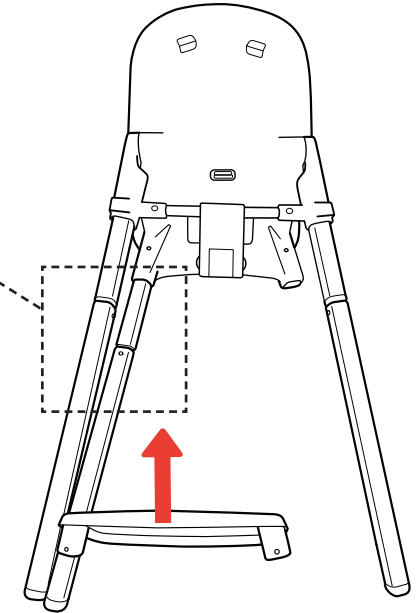
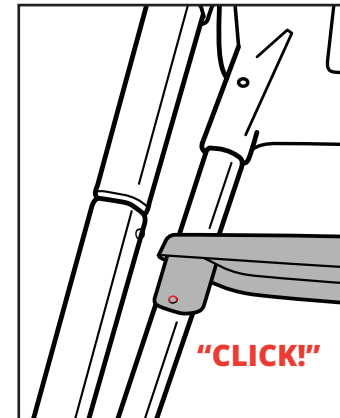
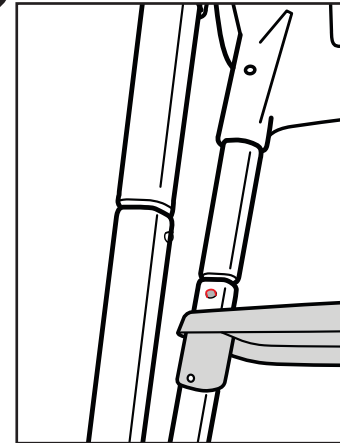


3. Attach 1 Leg into one of the Front attachment openings on the High Chair Seat (C). Push in on the Pin and slide the Leg into the High Chair Seat, as shown. The Leg is securely attached when the pin on the Leg is engaged.



Assembly

4



4. Orient the Footrest's flat side so that it is facing the back of the High Chair. Slide the Footrest up onto the attached front Leg until it stops at the first snap pin. Push in on the pin and slide the Footrest up until the pin is engaged.

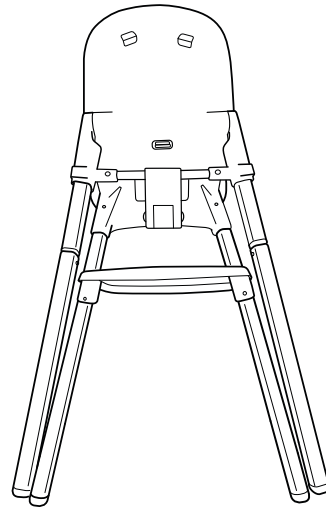
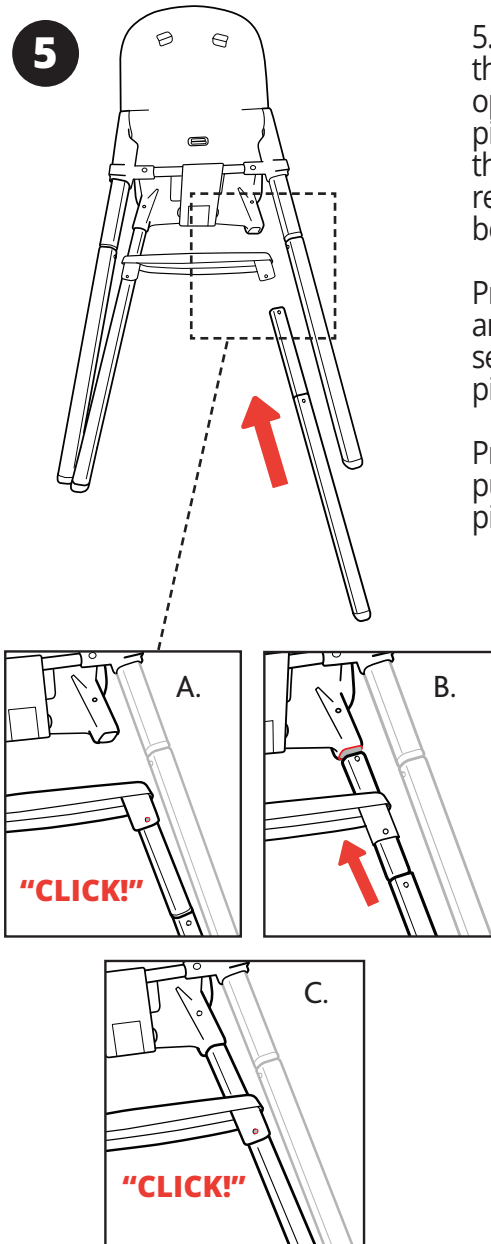
Assembly

5

5. Slide the remaining Leg up through the other Footrest opening. Press in on the top pin to allow the Leg to slide up through the Footrest (A) until it reaches the opening on the seat bottom.

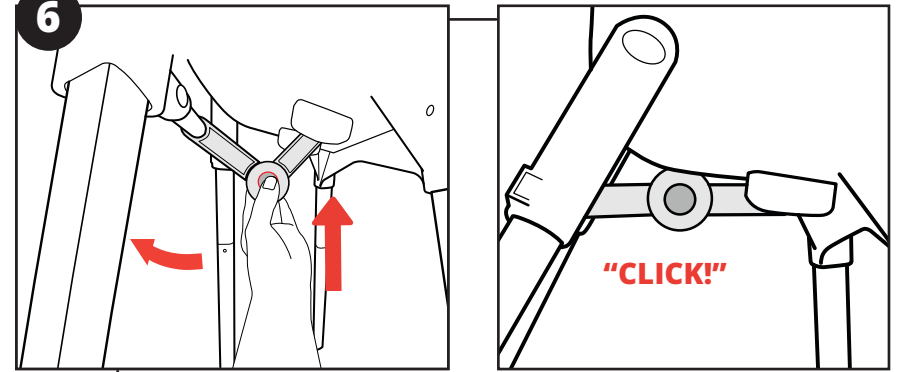
Press in on the top pin again and insert the Leg into the to seat bottom. Push up until the pin engages (B).

Press in on the lower pin and pull the Footrest down until the pin engages (C).

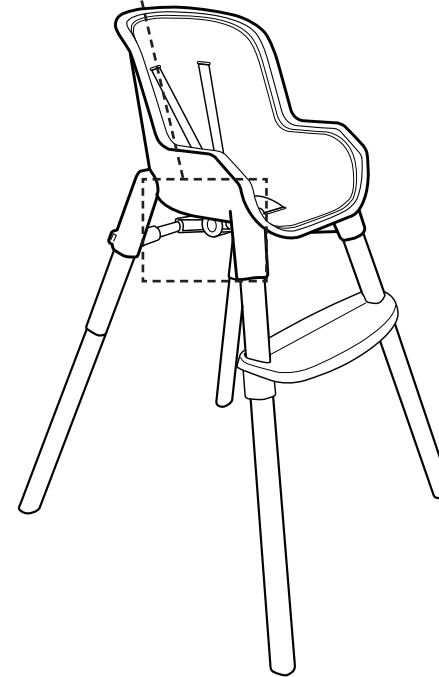


Assembly

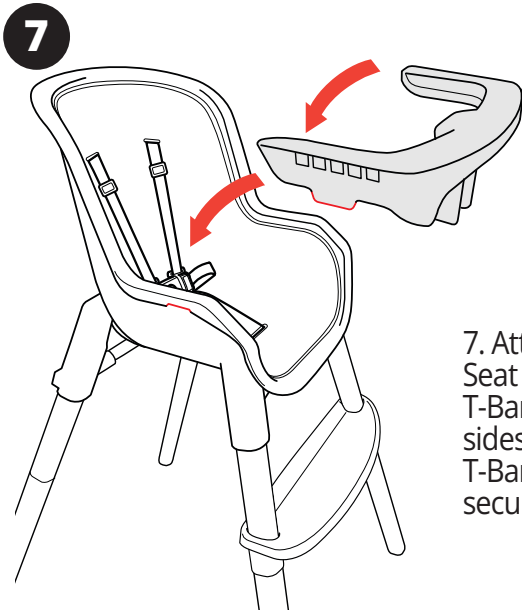
6



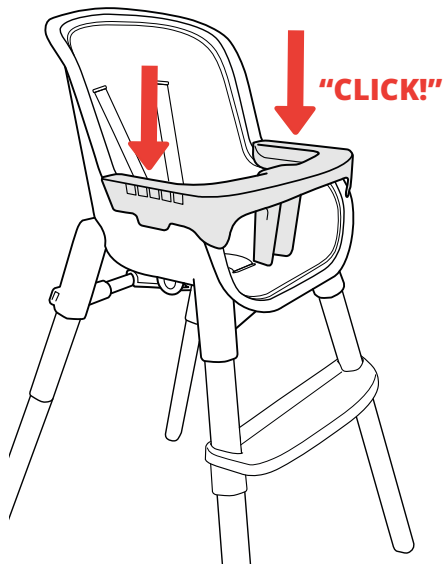
6. To open the high chair, locate the fold hub on the bottom of the High Chair Seat. Press in both buttons and rotate the rear legs out. The fold hub will CLICK when locked. Make sure the Rear Legs are locked by pulling down on the fold hub.



Assembly



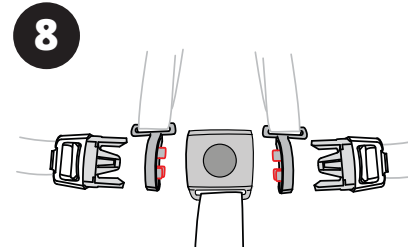
7. Attach the T-Bar (F) to the Seat Frame, as shown. The T-Bar will click into place on both sides of the Seat. Pull up on the T-Bar to make sure it is securely attached.



Adjusting Safety Harness

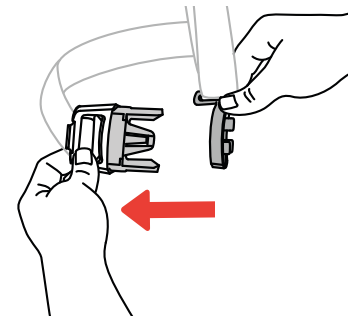
⚠ WARNING

Prevent serious injury or death from sliding out, falls, or tipping over. Always secure child in the restraint. Never leave child unattended. The tray is not designed to hold the child in the chair.

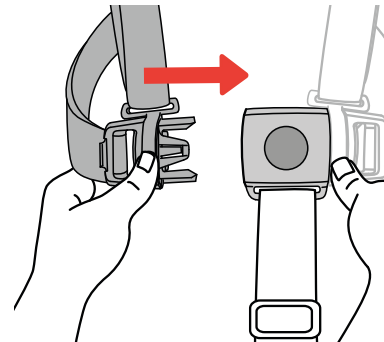


8. The High Chair has a 5-point safety harness. The Shoulder Strap Connector is designed to break away from the Waist Clip when not secured in the Crotch Strap Buckle.

Make sure the Shoulder Strap Connector is in the correct position, as shown. Slide the Shoulder Strap Connector onto the Waist Strap Clip and repeat for the other side.

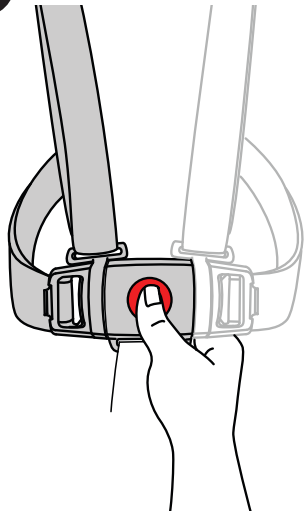


Then slide both Waist Clips into the Crotch Strap Buckle as shown. Pull on both sides to make sure the Clips are secured to the Buckle.



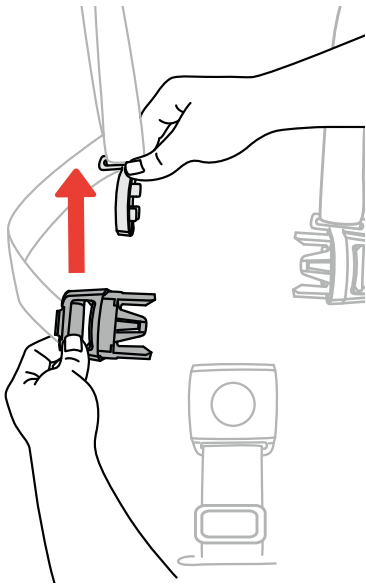
Adjusting Safety Harness

9



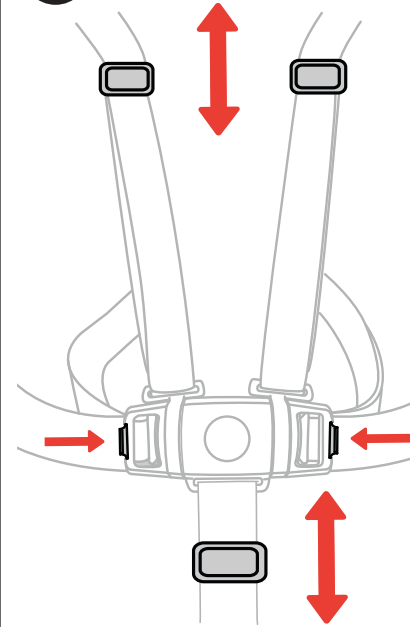
9. The safety harness can be released by pressing the button on the center of the Crotch Strap Buckle and pulling both Waist Clips out.

Pull on the Shoulder Strap Connector to remove it from the Waist Strap Clip.



Adjusting Safety Harness

10

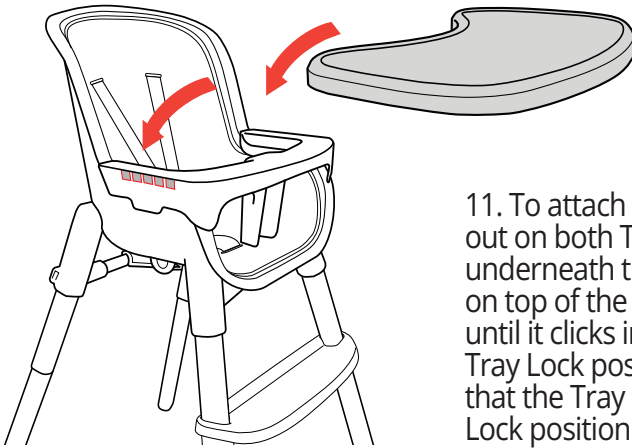
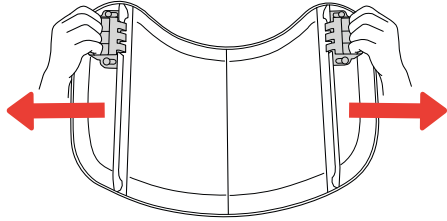


10. The length of the Shoulder Straps and Crotch Strap can be adjusted by pulling on the adjustment buckles to tighten or loosen.

The length of the Waist Straps can be adjusted by pressing the tab at the end of the Waist Strap Clip and pulling on the strap to tighten or loosen to better fit your child.

Assembly

11

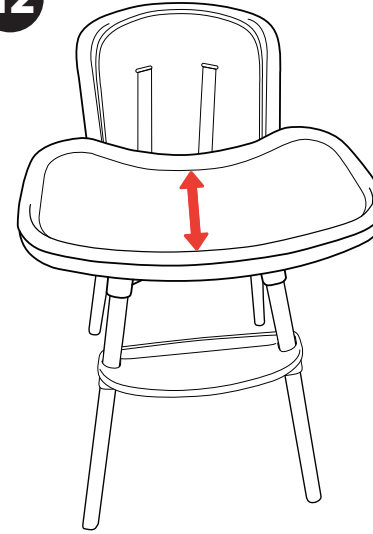


11. To attach the Tray (G) pull out on both Tray Locks underneath the Tray. Place it on top of the T-Bar. Press down until it clicks into one of the 3 Tray Lock positions. Make sure that the Tray is in the same Tray Lock position on both sides.

Always check that the Tray is securely attached by pulling up on it.

Tray Use

12



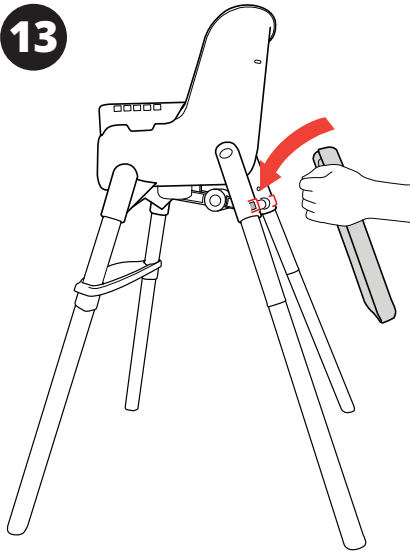
12. The Tray can be adjusted to 3 different positions.

To adjust the Tray squeeze both Tray Locks on each side of the Tray and slide it forward or backwards.

The Tray can be removed by squeezing both Tray Locks on each side of the Tray and lifting up.

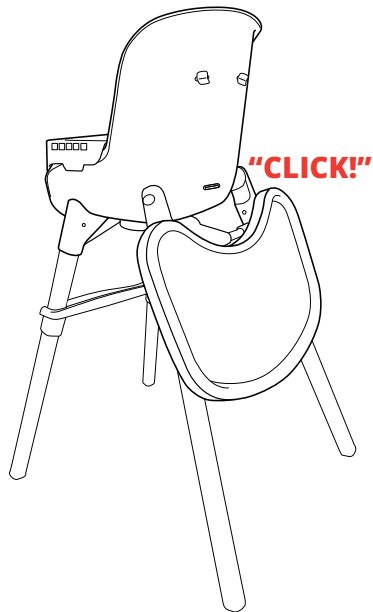
Tray Storage

13



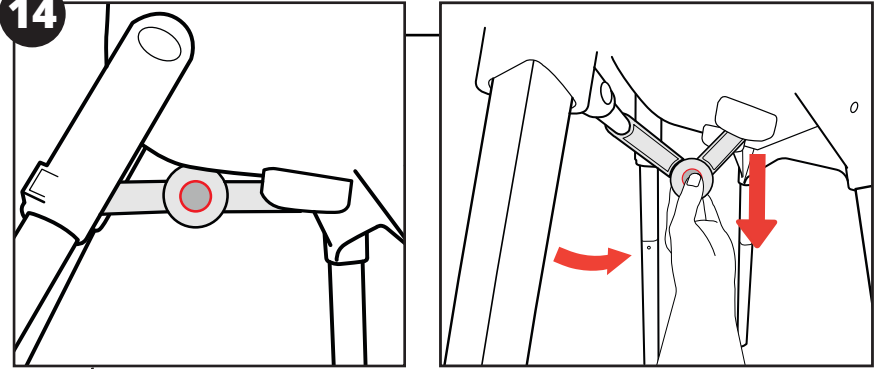
13. Pull out on both Tray Locks underneath the Tray. Line up the Tray Lock with the storage lock on the back of the seat where the rear legs attach, as shown. Release the Tray Locks and make sure the Locks click into place on both sides.

NOTE: Tray cannot be stored on the rear when in Feeding Chair mode.

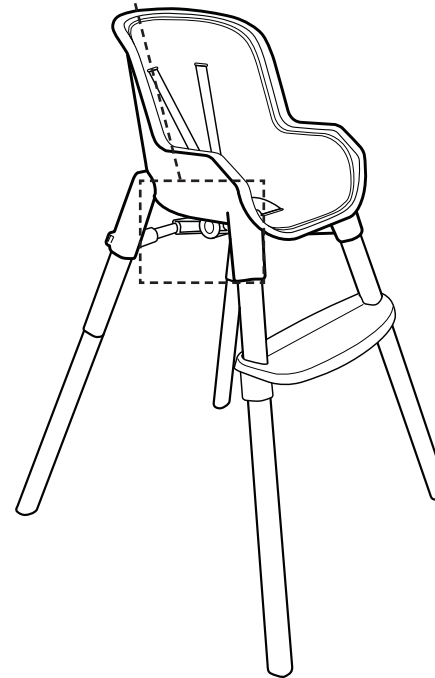


Folding High Chair

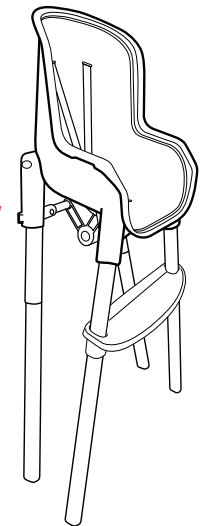
14



14. To Fold the Rear Legs, locate the extender hub on the bottom of the High Chair Seat. Press in both buttons and pull the rear legs in until the extender hub locks with a CLICK.



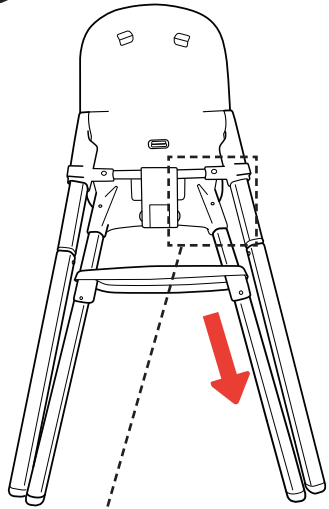
"CLICK!"



FEEDING CHAIR Mode



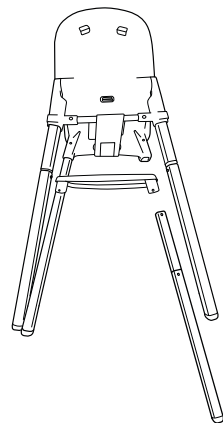
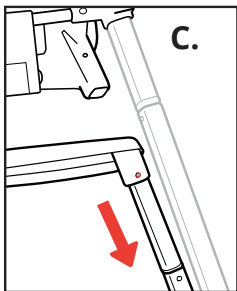
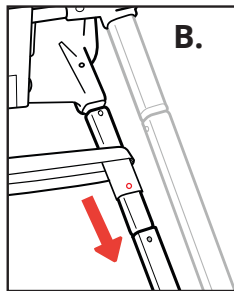
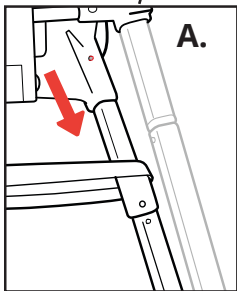
15



15. Press in on the top pin to release the front Leg from the seat bottom (A).

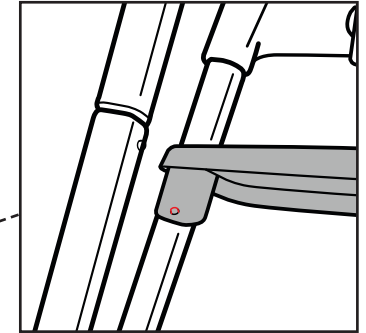
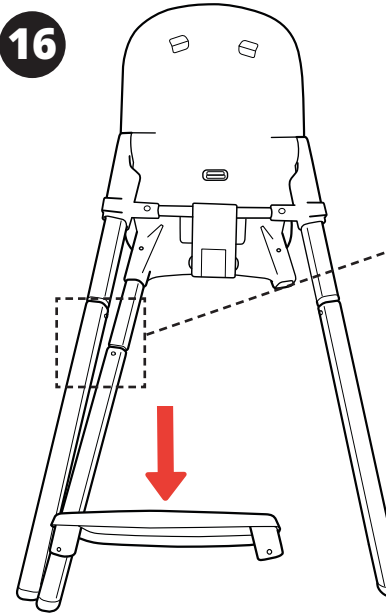
Press in on the lower pin to release the Footrest. Slide the Leg down until it reaches the top pin (B).

Press in on the top pin to allow the Leg to slide down through the Footrest (C). Set aside for later use.



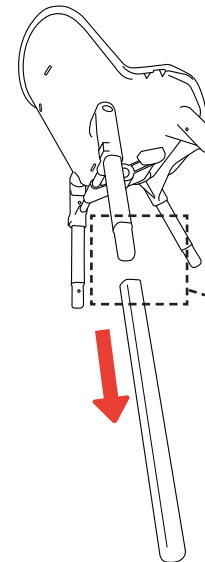
Assembly

16

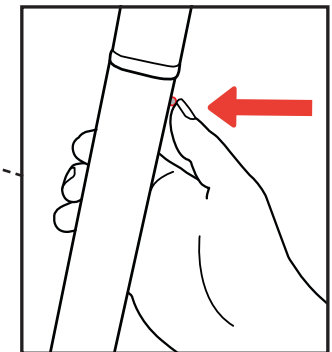


16. Remove the Footrest from the other front Leg. Press in on the pin and slide the Footrest down and off of the front Leg.

17

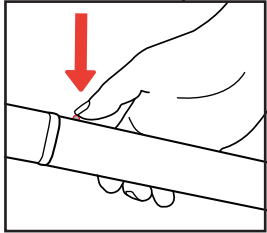
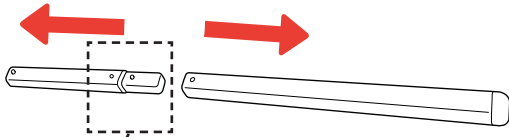


17. Remove the other 3 Leg - Bottoms (B) by pushing in on the pin and sliding the Legs apart.



Assembly

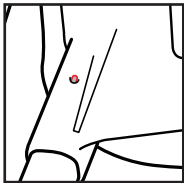
18A



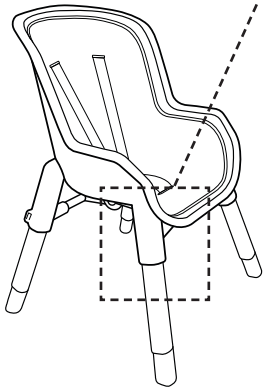
18A. Separate the Leg removed in Step 15 by pushing in on the pin and sliding the legs apart.

Store the Leg - Bottoms for use later.

18B



"CLICK!"

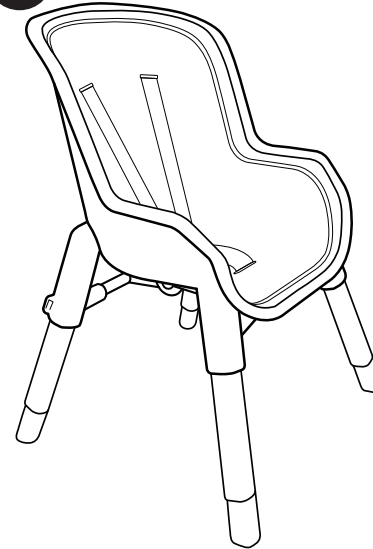


18B. Press in on the top pin and insert the Leg - Top section back into the bottom of the Seat. The Leg section is securely attached when the pin on the Leg is engaged.

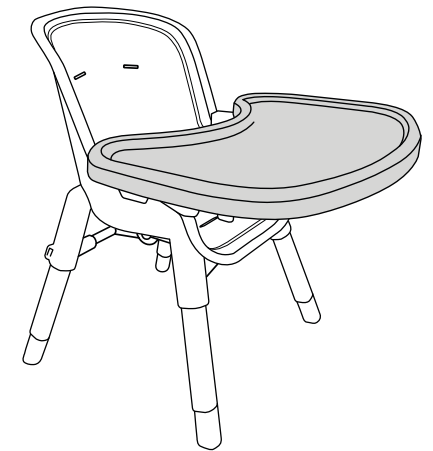
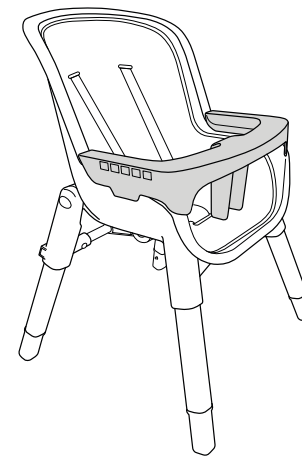
See steps 8-10 on securing your child with the Safety Harness.

Assembly

19



19. Attach the T-Bar and Tray. Refer to step 7 attaching T-Bar and step 11 attaching Tray.

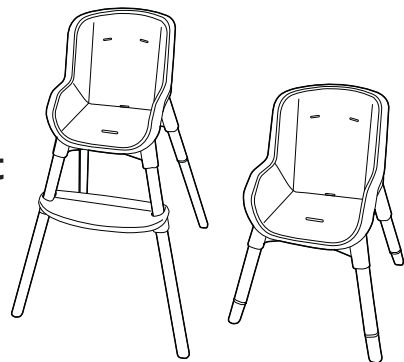


⚠ WARNING

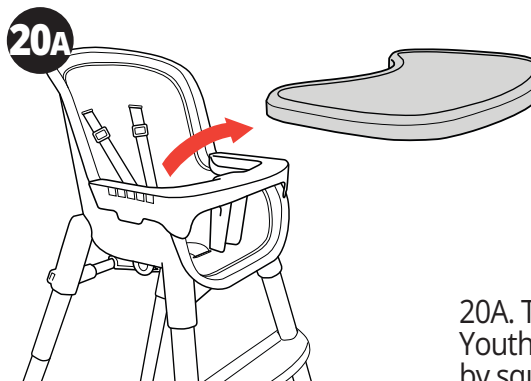
Failure to follow these warnings and the instructions could result in serious injury or death

YOUTH STOOL & TODDLER CHAIR USE

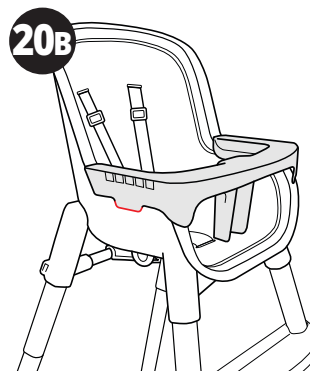
- Never leave child unattended.
- Always place the product on a horizontal, stable surface.
- Do not use Youth Stool for children under 3 years old or for children who weigh more than 60 lbs (27.3 kg).
- Do not use the product if any part is broken or missing.
- Ensure that all components are correctly fitted and adjusted before use.
- To avoid the danger of suffocation, remove all plastic covers before using the product.
- Do not leave the product near walls, curtains, or windows, where the child can become entangled.
- Do not attach any parts to the product that are not supplied or expressly approved by Chicco.



YOUTH STOOL Mode

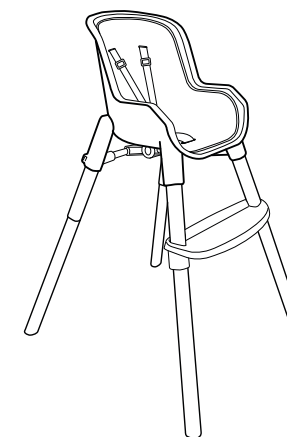
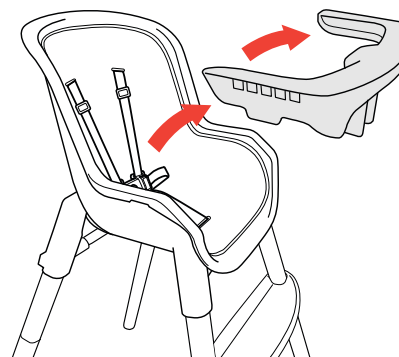


20A. To convert High Chair to Youth Stool Mode, remove Tray by squeezing both Tray Locks on each side of the Tray and lifting up.



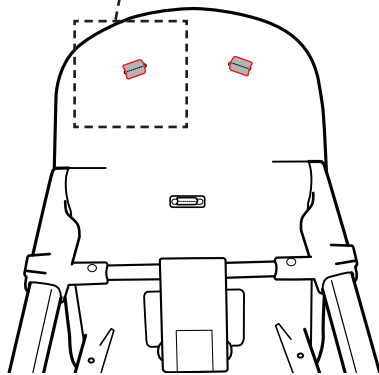
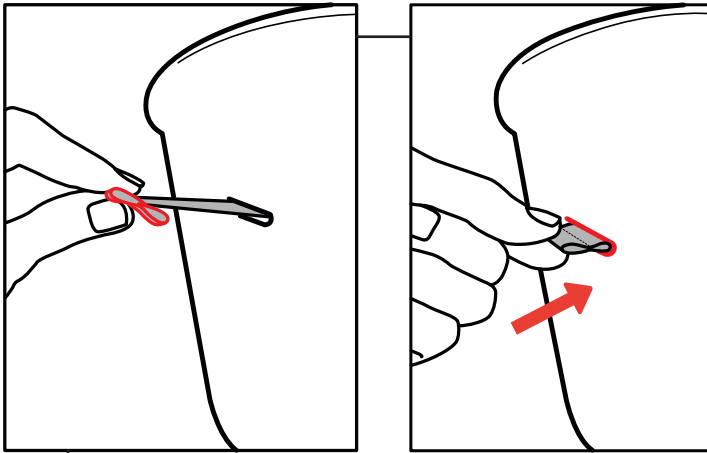
20B. The T-Bar can be removed by pulling out on both side tabs and lifting up.

To remove Harness Straps refer to Steps 21 to 23.



Removing the Harness

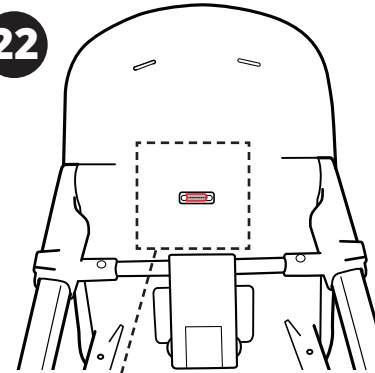
21



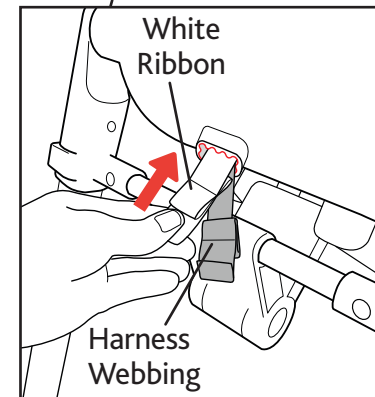
21. To remove Shoulder Straps from the Seat Back: Flatten the Shoulder Strap Tab and push it through the slot in the Seat and Seat Pad. Repeat for other Shoulder Strap.

Removing the Harness

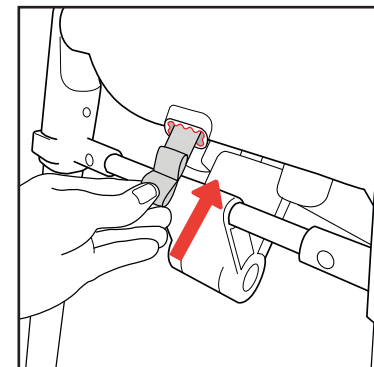
22



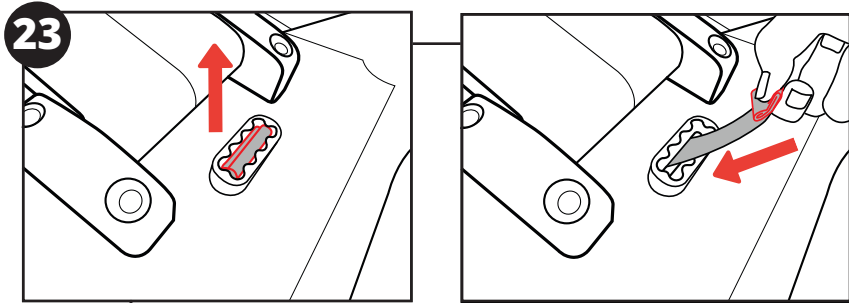
22. Loosen the folded webbing Waist Belt tab and white ribbon Seat Pad tab by pulling them both out of the slot in the back of the Seat. Flatten the white ribbon Seat Pad tab and feed it through the slot in the back of the Seat. Then flatten the harness webbing Waist Belt tab and feed it through the same slot.



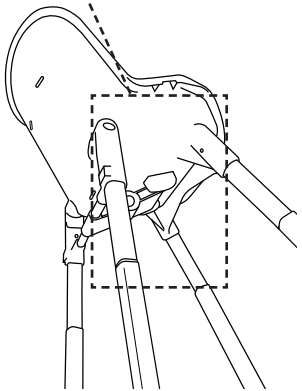
NOTE: To Re-attach the Seat Pad with the Waist Belt follow this step in reverse. Making sure that both straps are secured in the seat back opening.



Removing the Harness



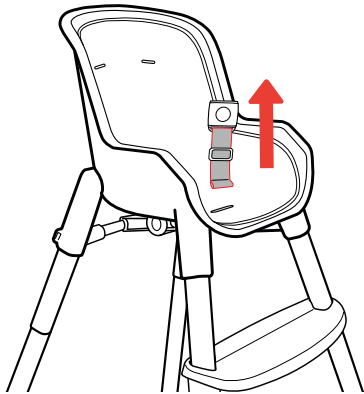
Bottom View of Seat



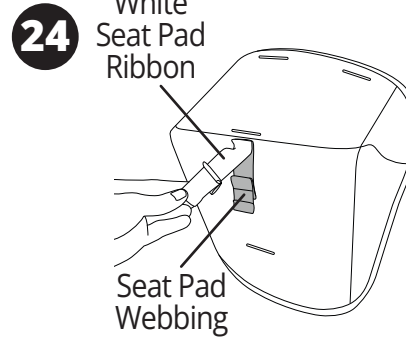
23. From the bottom of the Seat: pull the folded end of the Crotch Strap out of the slot. Flatten the Crotch Strap and feed it back into the slot.

From the top of the Seat: Pull on the Crotch Strap to remove it from the Seat and the Seat Pad.

To attach the Seat Pad WITHOUT the Harness refer to Step 24. To attach the Seat Pad WITH the Harness refer to Step 25A.

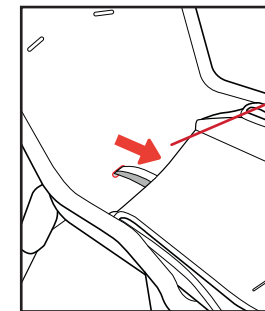
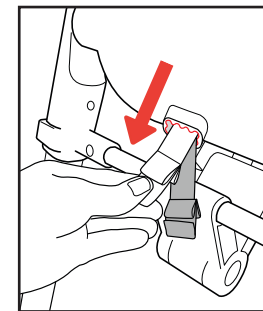
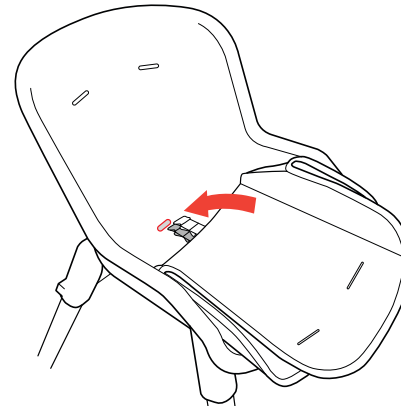


Attaching the Seat Pad - WITHOUT Harness



24. Insert BOTH the white Seat Pad ribbon and the Seat Pad webbing through the waist belt opening in the back of the seat.

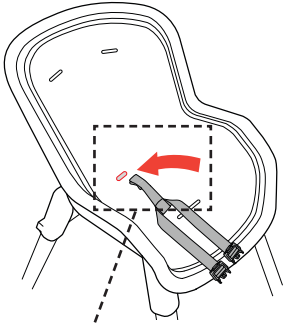
Fold both attachment strap wings together on both straps. Stack the straps and pull firmly on the straps from the front of the seat to secure the tabs into the opening.



Pull firmly on the white ribbon and webbing to secure.

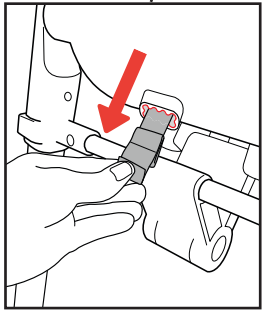
Attaching the Seat Pad - WITH Harness

25A



NOTE: Use ONLY the thin white ribbon on the Seat Pad to attach the Seat Pad WITH the harness.

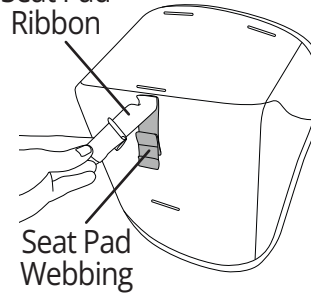
25A. Insert the Waist Belt Strap attachment tab through the waist belt slot in the Seat Pad and the back of the seat.



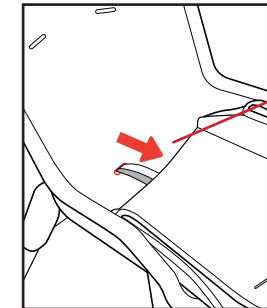
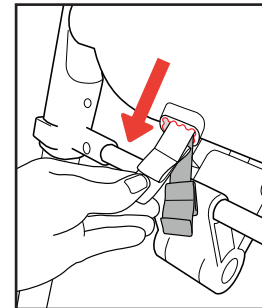
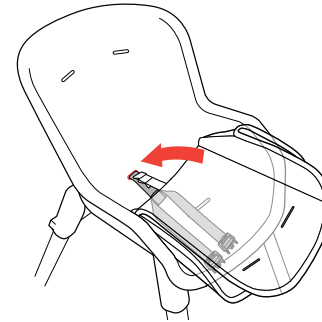
Attaching the Seat Pad - WITH Harness

25B

White
Seat Pad
Ribbon



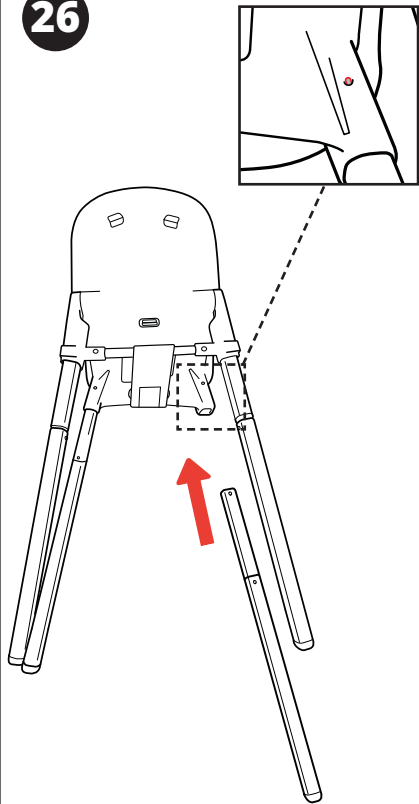
25B. Insert the white ribbon attachment tab through the waist belt opening in the back of the seat. Fold both attachment strap wings together on both straps. Stack the straps and pull firmly on the straps from the front of the seat to secure the tabs into the opening.



Pull firmly on the white ribbon and webbing to secure.

YOUTH STOOL WITHOUT Footrest

26

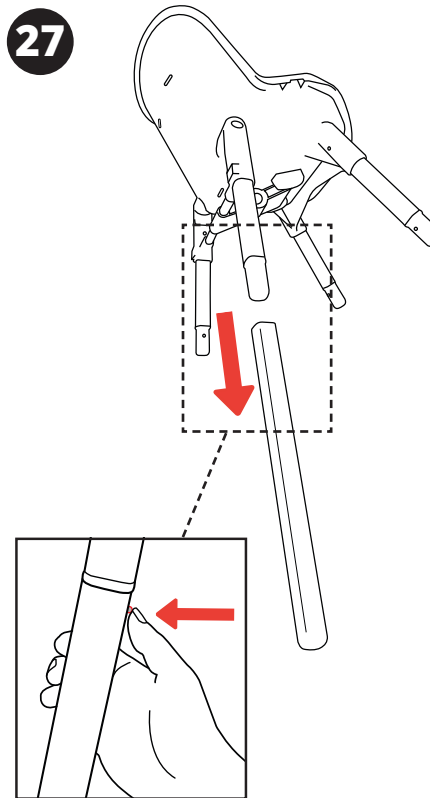


26. The Youth Stool may be used with or without the Footrest (D). To remove the Footrest, follow Steps 15-16.

Re-attach the Leg that was removed by pressing in on the top pin and re-inserting the Leg into the bottom of the Seat. The Leg is securely attached when the pin on the leg is engaged.

TODDLER CHAIR Mode

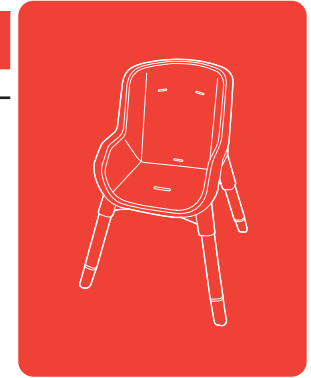
27



NOTE: If the Youth Stool was used with the Footrest installed, please remove it before using in Toddler Chair Mode. To remove Footrest refer to Steps 15-16.

27. To convert Youth Stool to Toddler Chair Mode remove the Leg - Bottoms (B) by pushing in on the pins and sliding all 4 Legs apart.

The Toddler Chair may be used with or without the Seat Pad. To Install the Seat Pad without the Harness, follow Steps 24.



Cleaning and Maintenance

This product requires regular maintenance. The cleaning and maintenance of the product must only be carried out by an adult.

CLEANING

Periodically wipe clean plastic parts with a soft damp cloth. You can spot clean the Seat Pad and Harness webbing with a damp cloth and mild detergent. Always dry the metal parts to prevent the formation of rust if the product has come into contact with water. Do not use bleach, spray, or wipes on the product. Do NOT fully submerge Tray in water. Tray is NOT dishwasher safe.

MAINTENANCE

Periodically check the product for loose screws, or worn parts. Replace or repair the parts as needed. Use only Chicco replacement parts. To avoid friction that may prevent the correct operation of the product, ensure that all the movable plastic parts placed along the metal frame are clean of dust and dirt. Keep product in a dry place. Prolonged exposure to direct sunlight may cause the plastic parts to warp.

For More Information

For USA customers :

If you have any questions or comments about this product, or are missing any of the parts, please do not return this product to the store.

Contact us in one of the following ways:



(877)-424-4226



info.usa@artsana.com

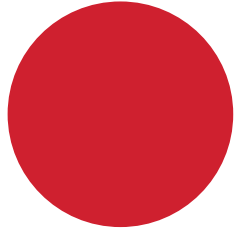


www.chiccousa.com



1826 William Penn Way
Lancaster, PA 17601

[**Kee-Ko**] If you say it right it makes you *smile*



KEE-KO